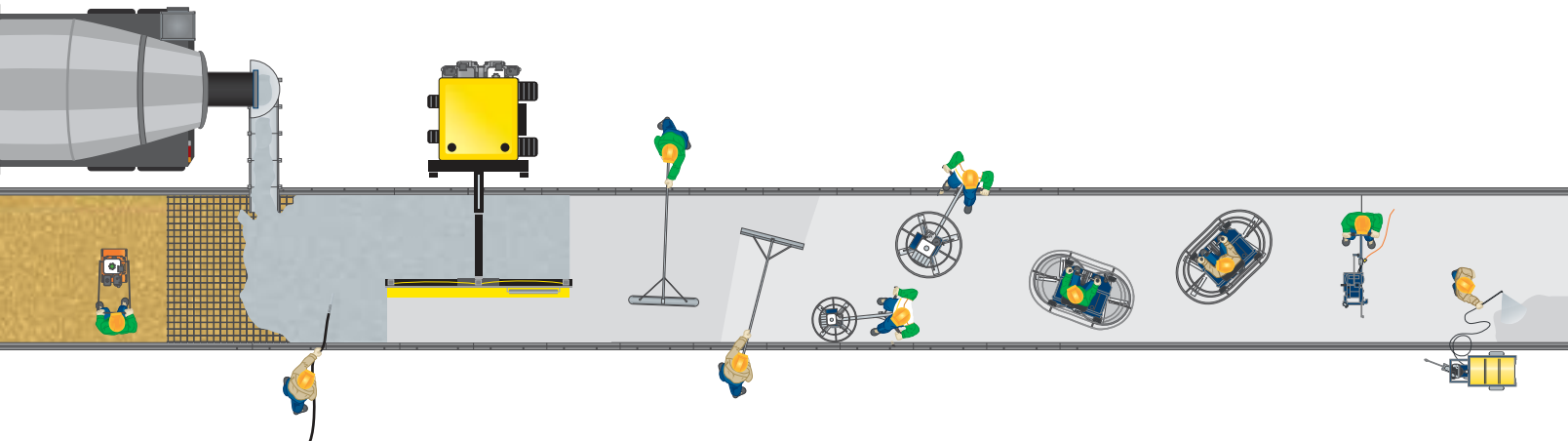




A COMPLETE RANGE OF CONCRETE FINISHING EQUIPMENT



www.flextoolfloors.com

Product Catalogue

ABOUT US

Flextool Floor Solutions supplies offers what is probably the most extensive range of products across Australasia. FFS with over 38 years experience has become the representative for Ligchine boom operated Laser Screeds as well as other top quality yet affordable concrete finishing compaction machines and tools.

Our extensive range of brands such as Ligchine levelling machines, Betonelli trowels and Masterpac compaction offer a solid return on capital. FFS values the importance of our relationship to customers as we provide a full package in sales service and technical know how on job sites.

OUR SLOGAN

“We Service What We Sell”



about us

© Copyright 2018 Flextool Floor Solutions This publication is copyright. All rights are reserved. This catalogue is produced as a guide to the product range. Some items may not be available at all outlets. Reproduction in whole or in part is prohibited without written permission. Application details are provided as a suggestion only of intended use. Owing to a continual product improvement, designs & specifications may be subject to change without notice.

Products



Mastervibe	4	Planetary Floor Grinder	45
Super Duty Concrete Vibrators And Heavy Duty		Cub Grinder	46
Amplitude Vibrators	6	Redilock Grinding Shoes	47
Extension Flexshafts	6	Quick-Fit Grinding Shoes	47
High Frequency Internal Vibrator	7	Floor / Road Saws	48
Petrol Drive Units To Suit Vibrator And Pump Shafts	8	Masterpac Rammers	49
Electric Power Assy	8	Masterpac Tamping Rammer	50
Handypump™	9	Masterpac Forward Plate Compactor	52
Pumps	10	Masterpac Reversible Plate Compactors	55
Extension Flexshafts	11	Pedestrian Roller Compactors	57
Lay Flat Hose	11	Diamond Blades	58
Masterscreed	13	Multi-Fit Shank Drills	60
Flat Floor Tools	14	SDS Max Shank Drills	60
Magnesium Bull Float	14	SDS Max Shank	61
Flat Wire Broom	14	Deco Slabsaver	62
Bump Cutter	15	Chemical Applicator	64
Channel Float	15	Bonds	66
Check Rod	15	Screedmaster	70
Mesh Cage Roller	15		
Material Spreader	15		
Double Beam Screed	16		
Vibratory Truss Screed Aluminium Type	17		
Laser Guided Boom Extension Screeds	18		
Compact Boom Screed	18		
Medium Boom Screeds	18		
Large/Mega Boom Screeds	19		
Screedsaver Elite	19		
New Screedsaver™ Max Plus	20		
Upper Deck Drive-In Screeds - Spiderscreed	22		
Multi Purpose Platform	24		
Hycon - All States Range	25		
Walk-Behind Power Trowels	26		
Ride-On Power Trowels	28		
Mastergrind Polishing System	32		
Finishing Blades	36		
Combination Blades	36		
Pan Floats	36		
Steel Float Pans	37		
Slide Blades	37		
Curing Compound Sprayer	38		
Early Entry Saw	39		
Rakes	40		
Aluminium Bullfloats	40		
Variable Position Screeds	40		
Handles & Adaptors	40		
Concrete Finishing Brooms	40		
Pointed Trowels	41		
Square Trowels	41		
Marble Sheen Trowels	41		
Serrated Trowels	42		
Cast Tools	42		
Fresno Trowels	42		
Steel Floats - Stainless Steel	42		
Magnesium Floats	42		
Edgers - Stainless Steel	43		
Walking Trowel - Stainless Steel	43		
Knee Board Plastic	43		
Surface Scarifiers	44		
Tungsten Cutter Cage	44		
Pressure Water Pump	44		

Product Catalogue



vibrating tools

MASTERVIBE

MODEL		BN-MV44	BN-MV44R
Type		Hard Nose	Resilient Nose Cap
Flexshaft Length	mm	545	545
Vibrator Head Dia	mm	44	44
Vibrator Head Length	mm	390	390
Operating Weight	kg	13	13
Shaft Inner Core Dia	mm	7.5	7.5
Shaft Outer Casing Dia	mm	28	28
Frequency	vib/min	9,000	9,000
Amplitude in Air	mm	2.8	2.8
Engine Make		Honda	Honda
Engine Model		GX35	GX35
Max Rated Power	Hp	1.5	1.5
Fuel Type		Petrol	Petrol

FEATURES

- Vibrator head - steel & resilient nose cap available
- Flexible shaft with support spring
- Convenient on/off switch & throttle control
- Adjustable handle
- Honda 4 stroke 35cc motor
- Convenient carry strap

APPLICATION

For slabs, footings, stairways and footpaths.

LIGHTWEIGHT

The unit is light and balanced and is fitted with an adjustable handle and carry strap for user.

POWER

The VIBE provides the solution to vibrating concrete as a portable unit. The Honda four-stroke motor provides hassle free operation and in comparison to a two-stroke motor uses less fuel, has reduced engine emissions.

EASY TO USE

A convenient on/off switch and throttle control built into the handle.

ALSO AVAILABLE IN RUBBER TIP



VH
Electric high frequency internal vibrators

Electric vibrators for concrete consolidation characterised by high performances, consistent speed and remarkable resistant to abrasion.



CM
Frequency and voltage converters

Frequency and voltage converters equipped with permanent magnets, specifically designed to power high frequency concrete vibrators continuously.



EWO
High frequency internal vibrators with built-in converter

Equipped with compact electronic frequency converter applied into the supply cable directly, suitable for connection to a single phase main power socket.



ELECTRIC VIBRATORS

High frequency electric vibrators for concrete compaction at the building precast site or concrete factories.



FASTENING SYSTEMS

Brackets for quick mounting of vibrators on wooden or steel formworks.



PNEUMATIC VIBRATORS

Pneumatic vibrators for concrete compaction for formworks or moulds.

CONCRETE CONSOLIDATION



Product Catalogue

SUPER DUTY CONCRETE VIBRATORS AND HEAVY DUTY AMPLITUDE VIBRATORS

The Series of Immersion Concrete Vibrators produce high frequency vibration allowing for the efficient compaction of low slump concrete mixes. The epicyclical design of the vibrator range generates high frequency vibration with a low flex shaft speed, the low speed of both the flex shaft and vibrator motor results in longer service life. The rotor generating the vibration is supported by a heavy duty self-aligning bearing and executes a pendulum motion. Vibration is greatest at the tip of the vibrator head.

MODEL		BN28	BN44-6	BN44-9	BN57-6M	BN57-9M
Flexshaft Length	m	6	6	9	6	9
Vibrator Head Dia	mm	28	44	44	57	57
Vibrator Head Length	mm	415	455	455	455	455
Operating Weight	kg	15	22	30	25	35
Shaft Inner Core Dia	mm	10	13	13	13	13
Shaft Outer Casing Dia	mm	28	32	32	32	32
Frequency	vib/min	11,000	13,000	13,000	13,000	13,000
Amplitude in Air	mm	0.6	1.8	1.8	2.1	2.1
Hard Nose Cap						

MODEL		BN44-6R	BN44-9R	BN57-6R	BN57-9R
Flexshaft Length	m	6	9	6	9
Vibrator Head Dia	mm	44	44	57	57
Vibrator Head Length	mm	465	465	465	465
Operating Weight	kg	22	30	25	35
Shaft Inner Core Dia	mm	13	13	13	13
Shaft Outer Casing Dia	mm	32	32	32	32
Frequency	vib/min	13,000	13,000	13,000	13,000
Amplitude in Air	mm	1.8	1.8	2.1	2.1
Rubber Tip					



HARD NOSE CAP



RESILIENT NOSE CAP AVAILABLE

**NEW HEAVY DUTY AMPLITUDE
AUSTRALIAN MADE
VIBRATORS**

EXTENSION FLEXSHAFTS

Extension shafts extend the length of an existing submersible pump and concrete vibrators. Fitted with the same 60mm quick action coupling as the drive units, these extensions allow for quick onsite connection.

APPLICATIONS

- Deep columns.
- Elevated formwork.
- Deep excavations.

MODEL		BN3-EXTENSION	BN6-EXTENSION
Flexshaft Length	m	3	6
Operating Weight	kg	11	20
Shaft Inner Core Dia	mm	13	13
Shaft Outer Casing Dia	mm	32	32

**EXTENSION SHAFTS
AVAILABLE**

HIGH FREQUENCY INTERNAL VIBRATOR WITH BUILT-IN CONVERTER

Compared to vibrating needles powered by heavy mechanical converters or messy fuel types, the bnhf range rises above.

- They are light and flexible with one simple on/off switch
- Constant output frequency maintains the maximum centrifugal Force for high and consistent performance;
- There is a 10 amp fuse protection against short circuits, excessive temperature, power fluctuations
- 4 head sizes: 38mm, 50mm, 59mm, 65mm
- Plugs into single phase outlet
- 5m sbr rubber protection hose with textile reinforcement
- 10m electric supply cable with 240 volt plug



MODEL		BN38HF	BN50HF	BN59HF	BN65HF
Head diameter	[mm]	38	50	59	65
Head length	[mm]	404	468	499	484
Head weight	[kg]	2.6	5.4	8.2	9.4
Operating weight	[kg]	12.2	17.4	20.2	22.4
Centrifugal force	[N]	1.700	3.760	5.640	7.330
Rated current [1]	[A]	1.5	2.7	3.0	4.5
Action diameter [2]	[mm]	45	70	90	110
Amplitude	[mm]	1.8	2.1	2.4	2.6
Power	[kW]	0.5	0.9	3.0	4.5
Input amperage converter	[A]	6	10	5	6
Compaction power [3]	[m ³ /h]	20	40	45	50

[1] Refer to centrifugal force for amperage assessment

[2] Measurements vary according to concrete quality and thickness

MADE IN ITALY

PNEUMATIC CONCRETE VIBRATORS

BNAV25/BNAV35/BNAV45/BNAV55/BNAV65/BNAV75

Air Powered Concrete Vibrators

- Induction hardened magnesium steel alloy
- High vibrating power
- Long working life
- Wear resistance and reliability
- Easy operations and compatibility
- Easy maintenance Available in 4m hose length



MODEL		BNAV25	BNAV35	BNAV45	BNAV55	BNAV65	BNAV75
Head diameter - Dia x L	[mm]	28 x 254	35 x 267	45 x 316	55 x 344	65 x 365	75 x 398
Head weight	[kg]	0.7	1.5	2.8	4.5	7.9	8.9
Amplitude	[mm]	0.5	0.6	0.6	0.8	0.9	1.2
Air Consumption	[m ³ /min]	0.36	0.46	0.7	0.8	1.0	1.3

Conversion: 1cfm = 0.028317 m³/min

Product Catalogue

PETROL DRIVE UNITS TO SUIT VIBRATOR AND PUMP SHAFTS

LIFTING HOOK KIT

BNHOOK – Lifting Hook Kit
Kit includes mounting componentry

PETROL MODEL		BNDU16H	BNDUL48D
Operating Weight	kg	25	43
Engine Speed	rpm	3,000	3,600
Vibration Isolators		No	Yes
Engine Make		Honda	Yanmar
Engine Model		GX160	L48
Max Rated Power	Hp	5.5	4.7
Fuel Type		Petrol	Diesel

crane hook optional



BNDU16H



BNDUL48D



ELECTRIC POWER ASSY

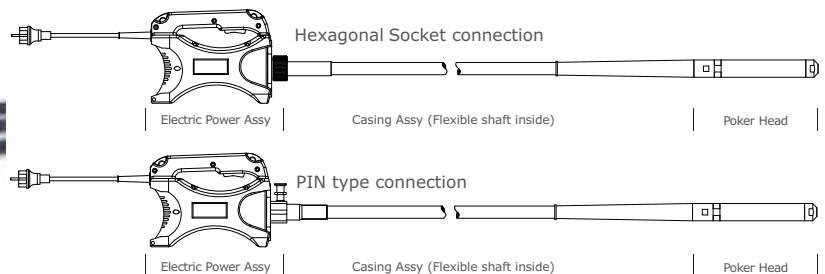
Electric Power Assy



NEW

MODEL	PVE 25
Power Input kw(hp)	2.3(3.1)
Current A	13/10
Voltage Volts	115/230
Frequency Hz	50/60
Phase	single
Unloads Speed r/min	17500
Weight kg(lb)	5.5(12)
Connection to Flexible shaft	Hexagonal Socket/Pin

Casing Assy & Poker Head



Casing Assy(flexible shaft inside)

Poker Head

MODEL	LENGTH M (FT)	WEIGHT KG (LB)	CORRESPONDANT TO
VEF2720	2(6.6)	3.8(8.4)	PVK38/PVK45/PVK50
VEF2730	3(9.8)	5.5(12.1)	PVK38/PVK45/PVK50

MODEL	PVK38	PVK45	PVK50
Dia x Length mm(in)	38x248(1.5x9.8)	45x381(1.8x15)	50x395(2.0x15.4)
Weight kg(lb)	7.1(15.7)	8.8(19.4)	9.6(21.2)
Centrifugal Force kN	1.38	3.1	3.7
Vibrator Amplitude mm(in)	1(0.04)	1.4(0.06)	1.5(0.06)
Frequency vpm		12000-13000	
Revolution of Flexible Shaft rpm		12000-13000	

drive units

Handy PUMP

FOUR STROKE LIGHTWEIGHT HANDYPUMP

For pumping waste water with ease from footings, trenches, culverts, pits, swimming pools, foundations And more.

The Handy PUMP provides the solution to pumping waste water with an easy to use portable unit. There is no need for electricity supply or separate pump units. The Honda four-stroke motor provides hassle free operation and in comparison to a two- stroke motor uses less fuel, has reduced engine emissions and there's no need for mixed fuel.

Pump specifications

- Super lightweight at 9.3 Kilograms
- 1.3 Horsepower Honda Engine
- 125 Liter Per min discharge
- 32 millimeter outlet size
- 5 millimeter Solids
- 5 meter max head



Lorem ipsum



- ✓ Portable
- ✓ Lightweight
- ✓ Easy To use
- ✓ Patented Design
- ✓ Reputation For Quality

DESCRIPTION		HANDYPUMP BNHP32
Head/Max	m	5
Discharge	ltr/min	125
Solids	mm	5
Outlet		32mm
Weight	kg	9.3

Product Catalogue

PUMPS

GENERAL PURPOSE

- Standard flexshaft
- Aluminium pump body for improved portability
- 3 Dog drive coupling

APPLICATIONS

- Excavations pits
- Construction sites
- Pier holes
- Dams
- Swimming pools
- Trenches

ABRASION RESISTANT

- Standard flexshaft
- Cast iron pump body for longer life
- 3 Dog drive coupling

APPLICATIONS

- Quarries
- Sandy soils
- Sand pits
- Gravel washings

MODEL		215		228	
Model		BN215LS	BN228-3	BN228-6	BN228-C
Flexshaft Length		6	3	6	6
Operating Weight	kg	25	18	26	34
Shaft Inner Core Dia	mm	13	13	13	15
Shaft Outer Casing Dia	mm	32	32	32	38
Discharge Dia	mm (in)	50 (2" BSP)	50 (2" BSP)	50 (2" BSP)	50 (2" BSP)
Max. Discharge Head	m	10	26	26	26
Max. Discharge	l/h	25,000	63,000	63,000	63,000
Solids Capacity	mm	8	28	28	28
Body		Aluminium	Aluminium	Aluminium	Cast Iron

Cast Iron body available



New and Improved Design



EXTENSION FLEXSHAFTS

Extension shafts extend the length of an existing submersible pump and concrete vibrators. Fitted with the same 60mm quick action coupling as the drive units, these extensions allow for quick onsite connection.

APPLICATIONS

- Deep columns.
- Elevated formwork.
- Deep excavations.

MODEL		BN3-EXTENSION
Flexshaft Length		3
Operating Weight	kg	11
Shaft Inner Core Dia	mm	13
Shaft Outer Casing Dia	mm	32

EXTENSION SHAFTS AVAILABLE

LAY FLAT HOSE

BNLFH20M
Lay flat hose 20m lengths



Dewatering trench box
During water main
repair.

Product Catalogue



masterscreed

MASTERSCREED

The Master screed has been engineered to give the maximum frequency of vibration across the entire blade length. This allows the operator to screed the concrete surface in 75% less time than traditional manual screeding methods. The Master screed is also equipped with four independent handle vibration isolators and a fully adjustable twin handle system maximising operator comfort and screed control.

FEATURES

- Four independent handle vibration isolators minimise handle vibration
- Fully adjustable twin handle system for total levelling control
- Rounded extrusion bar ends for easy manoeuvrability around obstacles.
- Blades available in different sizes
- Emergency engine shut off switch
- Extrusion Bars are easily able to be changed within minutes
- Unique extruded blade simultaneously cuts and smooths the concrete
- Tilt up stand keeps the engine out of the concrete and off the ground when not in use

MOTOR HANDLE KIT

MODEL		BN - MPSCREED
Weight	Kg	12.7
Engine Make		Honda
Engine Model		GX35
Max Rated Power	Hp	1.5
Fuel Type		Petrol

EXTRUSIONS

MODEL	LENGTH	WEIGHT (KG)
BNMP6FE	1830mm (6')	4.4
BNMP8FE	2440mm (8')	5.8
BNMP14FE	4270mm (14')	10.2



Product Catalogue

FLAT FLOOR TOOLS

Extruded magnesium flat floor tools are specifically designed to improve floor or pavement flatness. Each tool comes standard with three 1.8 m clip-together aluminium handles, stabilising outriggers and equalizer pitch adjusting head for precise, even control.

MAGNESIUM BULL FLOAT

Round end magnesium bull floats set :
 1pc magnesium bull float blade with 4 drilled holes
 3pcs aluminum swaged handles Ø45mmX1830mm (1-3/4"X72")
 1pc worm gear bracket
 1pc red plastic box , which is for easy carry of the tools

BN8602



MAGNESIUM BULL FLOATS					
Model		BN8602	BN8605	BN8708	BN8709
Operating Weight	kg	10	11	12	12.5
Extrusion Length	m (BN)	1220	1524	1829	2000
Dimensions (w x h)	mm (in)	1220mmX203mm	1524mmX203mm	1829mmX203mm	2000mmX203mm

FLAT WIRE BROOM

PART NO.	DESCRIPTION
BN9055	Flat wire broom (texture comb) : 36" (915mm) long spacing 3/4" (19mm) + 2 pcs of alum swaged handles (dia.35mm x 1830mm long)
BN9056	Flat wire broom (texture comb) : 36" (915mm) long spacing 1" (25,4mm) + 2 pcs of alum swaged handles (dia.35mm x 1830mm long)
BN9059	Flat wire broom (texture comb) : 48" (1220mm) long spacing 1" (25,4mm) + 2 pcs of alum swaged handles (dia.35mm x 1830mm long)



ACCESSORIES

MODEL	DESCRIPTION
BNPITCHHEAD	Heavy Duty Pitch Control BNacket
BNSNAP HANDLE	Heavy Duty Handle - Snap together 50 x 1800mm





BUMP CUTTER

		BUMP CUTTER
Model		BNBUMP3M
Operating Weight	kg	12
Extrusion Length	m (BN)	3.1
Dimensions (w x h)	mm (in)	102mm x 51mm

CHANNEL FLOAT

		CHANNEL FLOAT
Model		BNCHANNEL3M
Operating Weight	kg	17
Extrusion Length	m (BN)	3.1
Dimensions (w x h)	mm (in)	151mm x 51mm

CHECK ROD

		CHECK ROD
Model		BNCRD3M
Operating Weight	kg	14
Extrusion Length	m (BN)	3
Dimensions (w x h)	mm (in)	101mm x 50,8mm

Each product is supplied with 3 x Snap Handles



MESH CAGE ROLLER

Mesh rollers are used to push fibre mesh and aggregate into the surface of the concrete. Proper imbedding of both fibres mesh and aggregate greatly assisting when finishing with power trowels.

MODEL	DESCRIPTION
BNMESH90	HEAVY DUTY MESH CAGED ROLLER - 900mm
BNMESH120	HEAVY DUTY MESH CAGED ROLLER - 1200mm

Handle to suit sold separately



MATERIAL SPREADER

Used for spreading dry shake materials such as Hardeners & Decorative colour hardeners

FEATURES

- 40kg hopper capacity
- Hopper includes integrated bag Breaker
- Mesh roller pushes material into the surface
- Adjustable spreading rate from 0.5kg/m² to 2.5kg/m²
- Hand activated lever opens/closes discharge gate to start/stop material flow

MODEL	DESCRIPTION
BNSREADER	MATERIAL SPREADER



Product Catalogue

DOUBLE BEAM SCREED

MOTOR KIT		BN-DBMKIT
Operating Weight	kg	37
Engine Model		HONDAGX160



MODEL		BN4.1	BN6.5	BN8.2
Length	m	4.1	6.5	8.2
Operating Weight	kg	82	117	131
Pretensioned Beam		No	Yes	Yes

Double beam screed lengths

APPLICATION

- Roadways
- Airport aprons
- Slipways
- Spillways
- Tilt panels
- Warehouse floors



FEATURES

- Vibrating screeds are an effective means of compacting large areas of concrete.
- The vibratory motion of the beams imparts a self propelling motion to the screed.
- Save labour and increase placement rates as a vibrating screed strikes and compacts concrete in one pass.
- Pre-tensioned beams allow the surface flatness to be controlled by adjusting beam pretension & are recommended for precision finishing.
- Spans up to 8.2 metres.
- Lifting handles are fitted at the ends of the beams. Pull ropes & handles are provided for directional control.
- Two lifting eyes are fitted to the screed to facilitate site handling.

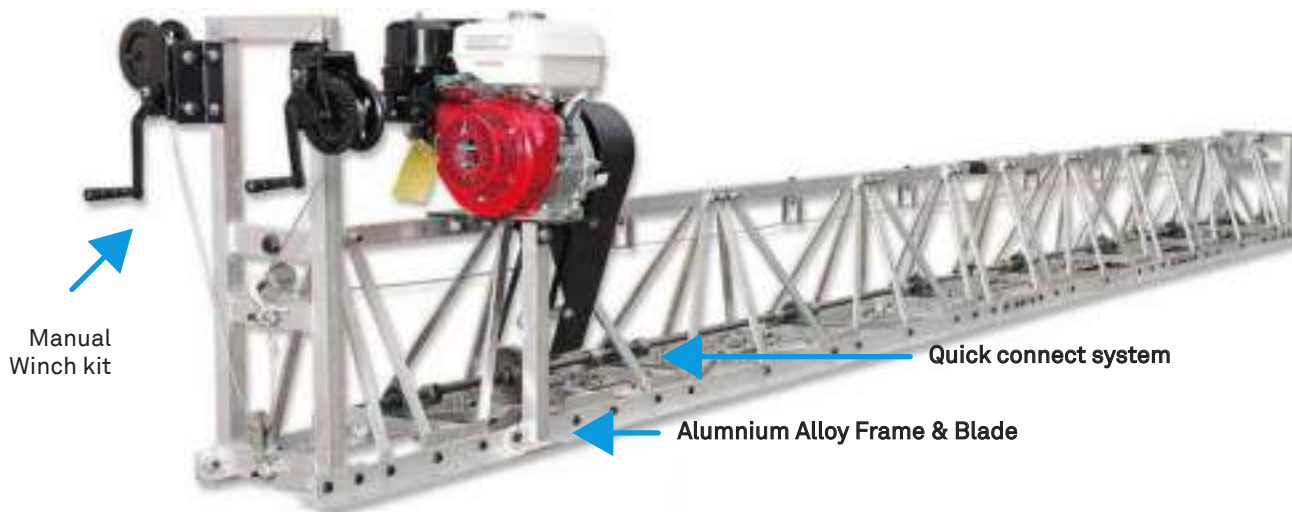


concrete power screeding

VIBRATORY TRUSS SCREED ALUMINIUM TYPE

FEATURES

- Frame construction : Aluminium Alloy
- Vibration system : eccentric shaft
- Maximum width : 16mts
- Lowest slump concrete : 55mm
- Max depth concrete : 200mm
- Blades : Aluminium Alloy



MODEL	TSC10A	TSC12A	TSC14A	TSC16TA
Total Width	10.0m	12.0m	14.0m	16.0m
Power section Honda GX390 13hp petrol engine with Winch- Diesel options available	1x3.0mts / 95kg	1x3.0mts / 95kg	1x3.0mts / 95kg	1x3.0mts / 95kg
Power section 10hp Yanmar L100N diesel engine with Winch	1x3.0mts / 98kg	1x3.0mts / 98kg	1x3.0mts / 98kg	1x3.0mts / 98kg
Center section A	1x1mts / 18kg	2x1.5mts / 52kg	2x1mts / 35kg	4x1.5mts / 105kg
Center section B	2x1.5mts / 52kg	1x3.0mts / 52kg	2x1.5mts / 52kg	2x2.0mts / 70kg
Center section C	*****	*****	1x3.0mts / 60kg	*****
End section	1x3.0mts / 60kg	1x3.0mts / 60kg	1x3.0mts / 60kg	1x3.0mts / 60kg
Manual Winch kit 2units	15kg	15kg	15kg	15kg

Product Catalogue

LASER GUIDED BOOM EXTENSION SCREEDS



COMPACT BOOM SCREED

SCREEDSAVER II

Coverage per pass
125sq.ft. (11.6m²)

Boom Extension Distance
12.6" (3.8m)

Machine Weight
2,840 lbs (1,288kg)

Drive System
Zero Turn



The ScreedSaver II is Ligchine's smallest-sized, laser-guided, boom-operated screed. The ScreedSaver II is as straightforward as a laser-guided screed gets. It is extremely lightweight, efficient and maneuverable. While it is Ligchine's only boom-screed that lacks a rotating undercarriage, this simple yet effective machine utilizes a zero-turn system that allows it to function on jobs that other boom-screeds couldn't.

MEDIUM BOOM SCREEDS

SCREEDSAVER MAX 200

Coverage per pass
200sq.ft. (18.6m²)

Boom Extension Distance
18" (5.5m)

Machine Weight
4,380 lbs (1,986kg)

Drive System
Rear Wheel Steering



The ScreedSaver MAX 200 is Ligchine's medium-sized, laser-guided, boom-operated screed. This mid-sized screed offers a high production output at a light weight. This weight advantage allows the MAX 200 to run on Styrofoam and heat tubing and is light enough to be pulled on a trailer behind a pickup truck.

concrete power finishing

LARGE/MEGA BOOM SCREEDS

SCREEDSAVER PRO 220

Coverage per pass
220sq.ft. (20.44m²)

Boom Extension Distance
18" (5.5m)

Machine Weight
4,870 lbs (2,209kg)

Drive System
Zero Turn



The ScreedSaver PRO 220 is Ligchine's large-sized, laser-guided, boom-operated screed. With all of the high-tech features of their mega-screeds fitted to a lighter, nimbler frame, the PRO 220 offers top tier performance without the cumbersome weight of other screeds in its class.

SCREEDSAVER ELITE

MODEL	SCREEDSAVER ELITE
Engine Size	Kubota V1505, 4-cylinder / 3,000 rpm, diesel
Weight	6,540 lbs. 2966kg (Including screed head and full water tanks)
Machine size (retracted)	W-5' 9" (1.79 m) x L-14' 6" (4.45 m) x H-5' 5" (1.67 m)
Steering System (hydraulic)	Front-wheel steering
Drive System (hydraulic)	4 wheel proportional
Parallel to the Pour Driving	Yes
Lighting System	2 forward & 1 rear facing Grote Trilliant 3000L LED lights
Machine Operation Control	100% Wireless Remote Control
Coverage per screed pass (no overlap)	216 sq. ft. (20 sq. m)
Side-shift Screed Head Length	12' (3.6 m)
Boom Reach	18' (5.5 m)
Self-contained Concrete Additive Sprayer System	Standard
Diagnostics (hydraulic, electrical, engine and laser)	Standard – Parker MD4, 7" touch-screen color display
Transport with Pickup Truck and Trailer	Yes
Machine Length When in Trailer Mode	23' (7.01 m)
Alternate Screed Head Options	High-Performance, Paver, Various Widths
Grade/Slope/Dual Slope control (standard)	Topcon LS-B110
Contoured Slope 3D Capable (optional)	Topcon 3D mmGPS Satellite control or LPS Robotic

Ligchine introduces the SCREEDSAVER ELITE, the newest laser-guided concrete screed machine to join the SCREEDSAVER line of innovative, labor-saving machines. The SCREEDSAVER ELITE showcases new features including all-wheel drive, heavy-duty boom sections reaching out to 18', 65-gallon on-board fluid tanks and an onboard pressure washer for clean-up. The game-changing side-shift head makes it easier to screed around stick-ups in slabs with pinpoint accuracy. This machine is the most innovative and revolutionary laser-guided screed machine to join the SCREEDSAVER line of machines from Ligchine.



Product Catalogue

NEW SCREEDSAVER™ MAX PLUS

Based off the successful SCREEDSAVER™ MAX platform, the sleek, NEW SCREEDSAVER™ MAX PLUS adds new features such as a built-in diagnostic touchscreen, revolutionary SwingBoom™ pivoting frame, Topcon® laser receivers, a totally revised wireless remote control system, and a feature packed, quiet Honda gasoline engine. A twist on the classic SCREEDSAVER™ MAX PLUS a whole lot more!

SCREEDSAVER MAX PLUS

Screed Coverage – The MAX PLUS offers 17' (5.18m) of boom extension with a 10' (3m) High Performance screed head

Engine – Honda iGX800 - electronic fuel injection, air cooled, four stroke, 24.9HP (18.5kW)

Drive System – 2 wheel proportional drive with wireless remote control.

SwingBoom™ Pivoting Frame -- Up to 5'3" (1.6m) of side-to-side screed head movement with a pivoting boom member.

Grade/Slope/Dual Slope Control – Topcon® LSB110 laser receivers (included).

Ease of Transport – The MAX PLUS can be towed with pickup truck/trailer and enter/exit through 6' door openings.



MODEL	SPIDERSCREED
Engine Size	Honda iGX800 - 24.9HP (18.5kW) - Fuel Injected V-Twin
Machine Size (retracted)	W-6' 3" (1.9 m) x L-15' 10" (4.8 m) x H (top of pivot post)-5' 7" (1.7 m)
Machine Weight	4,800 lbs. (2,177 kg)
Steering System (hydraulic)	2 Wheel Steering
Drive System (hydraulic)	2 Wheel Proportional Drive
Parallel to the Pour Driving Capable	Yes - 90° Manual Pivoting Undercarriage Drive Frame
Machine Operation Control	100% Wireless Remote Control - Scanreco
Coverage Per Screed Pass (no overlap)	170 sq. ft. (15.79 m2)
Screed Head Width	10' (3 m)
Boom Reach	17' (5.18 m)
Transport with Pickup Truck and Trailer	Yes
Screed Head Options	High Performance, Paver, Pervious, Various Widths
Grade/Slope/Dual Slope Control (standard)	Topcon® LS-B110 Receivers (included)
Contoured Slope 3D Capable (optional)	Topcon® 3D mmGPS Satellite Control or LPS Robotic
Extras	Tool Box (included), LED Lighting (included), Spray System (optional)





Product Catalogue

UPPER DECK DRIVE-IN SCREEDS - SPIDERSCREED

SPIDERSCREED	
Purpose	Upper Deck & Slab-On-Grade
Frame Design	TIG-Welded Aluminium
Machine Weight	1,280 lbs (581kg)
Drive System	Versa-Drive System™

The SpiderScreed™ from Ligchine addresses the issues of drive-in screeds such as weight, power, navigation, and levelling capabilities. A tubular aluminum main and screedhead frame makes the SpiderScreed™ the lightest drive-in screed with an auger screedhead. High speed electric actuators drive Ligchine's patented machine levelling system that produces superior FF/FL numbers. Ligchine's Versa-Drive™ system allows for unmatched machine movement, screeding control, and speed. SpiderScreed™ offers one of the best ROI models for a screed in its class. Ask us how!

MODEL		SPIDERSCREED
Weight	kg	581
WIDTH	mm (in)	1750 69
Height (To Lift Lugs)		Extended: 1780 70 Retracted: 1500 59
Power:		Honda GX630 - 20.8 HP 15.5 kW
Screedhead	m (ft)	3.1 m 10 ft 2.4 m 8 ft (optional)
Leveling Systems		Laser two Topcon LS-B110 receivers Tracker two Topcon ST-2 sonic trackers (optional) LPS Topcon robotic total station control (optional)
Drive System		Independent hydraulic front wheel drive Wheels linked together in unison achieving zero turn, parallel, and lateral steering and drive motions
Electronics		Eaton keypad for operator controls Parker MD4 7" touch-screen display for systems/diagnostic status



- Screedhead:
- Aluminum frame
 - Hardened steel auger
 - Floating vibrate finish blade



Operator Controls

concrete power finishing



Product Catalogue

MULTI PURPOSE PLATFORM - F_F/F_L /AND TR-34 FLOOR PROFILER OR DEFLECTION METER

With the Contractor in mind the Axiom 1155 floor profiler from the Somero Matson Group brings both simplicity and ease of use to the forefront in its compact, lightweight, and robust design.

Built on the Android operating system, the Axiom 1155's Measurement and Layout Companion apps can be used with a Bluetooth enabled Android phone or tablet of choice. The average user now has the ability and guidance to reliably and precisely test floors in accordance with the latest ASTM E1155 and TR-34 standards, or test joint stability (Deflection) in accordance with ACI 360R-10 section 6.2.

Upon completion of the test, the Measurement app then allows the user to send the results immediately from the Cellular or WiFi connected Android phone / tablet to any and all interested parties for review of the direct CSV file. The results file can also be imported into the Axiom Desktop Report Generator where the user can quickly create professional customizable site reports for dissemination to customers.

FEATURES

- Multi Purpose Platform: FF/FL and TR-34 Floor Profiler or Deflection Meter
- Instantly shareable data with real-time results
- Automatic report generators
- System Accuracy: +/- 0.0015 inch/foot
- Dual axis inclinometer technology for stability control and enhanced repeatability
- Collapsible and detachable hardware for easy transport and travel
- Manufactured with lightweight and durable alloys
- Internal Sensors are rated to withstand a 9' drop
- ASTM E1155-14, ASTM E1155M-14, TR-34 and ACI 360R-10 Section 6.2 compliant
- Android operating system
- Rated for 25 hours of continuous use powered with 6 AA batteries
- Ability to delete a point taken by mistake during the measurement process



AXIOM 1155



HYCON

HYCON Core Drill

Oil flow, L/min	20
Working pressure, bar	100
Max. pressure, bar	130
Weight, kg	1.6
Tap-in drilling diameter	
HCD25-100	1300/100/100 mm
HCD50-300	1600/50-300/100 mm
Core bits	Standard 11° JWC
Noise level L_{WA} dB	
HCD25-100	84
HCD50-300	80
Vibration level (a _h) m/s ²	< 2.5

Challenged in depth

HYCON HCS Cut-Off Saw	HCS10 Premium	HCS16 Premium	HCS18 Premium	HCS20 Premium
Disc size	1875x225 mm	1875x225 mm	1875x225 mm	2075x225 mm
Oil flow, L/min	20-20	20-20	20-20	20-20
Working pressure, bar	100	100	100	100
Max. pressure, bar	130	130	130	130
Weight with Pallet, kg	2.4	2.4	3.1	3.2
Cutting depth, mm (°)	100	100	100	210
Noise level L _{WA} dB	90	85	86	88
Noise level L _{PA} dB	110	108	110	110
Vibration level (a _h)	< 2.5	< 2.5	< 2.5	< 2.5

HYCON HPS2
Hydraulic Breaker
Weight 20kg, Oil flow 30L/min, Max pressure 100bar

Oil flow, L/min	30
Working pressure, bar	100
Max. pressure, bar	130
Max frequency, 1/min	1200
Noise level L _{WA} dB	96
Noise level L _{PA} dB	103
Vibration level (a _h) m/s ²	16.7
Tool steel, mm bore	26/32

HYCON HPS5
Hydraulic Breaker
Weight 25kg, Oil flow 30L/min, Max pressure 100bar

Oil flow, L/min	30
Working pressure, bar	100
Max. pressure, bar	130
Max frequency, 1/min	1100-1400
Noise level L _{WA} dB	89
Noise level L _{PA} dB	111
Vibration level (a _h) m/s ²	16.7
Tool steel, mm bore	26/32

HYCON HPP15 PDS
Diesel Hydraulic Powerpack
Weight 110kg, Oil flow 30L/min, Max pressure 100bar

Oil flow, L/min	30-30
Max. pressure, bar	100
Engine	Isuzu 15-HP gasoline
PCR regulatable	Adjustable
Starter	Foot
Weight, kg	81
Noise level L _{WA} dB	89
Noise level L _{PA} dB	101

HYCON HPP15 FDS
Diesel Hydraulic Powerpack
Weight 110kg, Oil flow 30L/min, Max pressure 100bar

Oil flow, L/min	30-30-40
Max. pressure, bar	100
Engine	Isuzu 15-HP diesel
PCR regulatable	Adjustable
Starter	Foot and electric
Weight, kg	109
Noise level L _{WA} dB	88
Noise level L _{PA} dB	100

HYCON HPS10
Hydraulic Breaker
Weight 25kg, Oil flow 30L/min, Max pressure 100bar

Oil flow, L/min	30
Working pressure, bar	100
Max. pressure, bar	130
Max frequency, 1/min	1200
Noise level L _{WA} dB	84
Noise level L _{PA} dB	100
Vibration level (a _h) m/s ²	6.8
Tool steel, mm bore	26/32

HYCON HPP150 FDS
Diesel Hydraulic Powerpack
Weight 110kg, Oil flow 30L/min, Max pressure 100bar

Oil flow, L/min	30-30
Max. pressure, bar	100
Engine	Isuzu 15-HP diesel
PCR regulatable	Adjustable
Starter	Foot and electric
Weight, kg	110
Noise level L _{WA} dB (20m)	88
Noise level L _{PA} dB (20m)	100

HYCON HPS Hydraulic Breaker Range

HPS2	20kg
HPS5	25kg
HPS10	25kg
HPS15	30kg
HPS20	30kg
HPS25	30kg
HPS30	30kg
HPS35	30kg
HPS40	30kg
HPS45	30kg
HPS50	30kg
HPS55	30kg
HPS60	30kg
HPS65	30kg
HPS70	30kg
HPS75	30kg
HPS80	30kg
HPS85	30kg
HPS90	30kg
HPS95	30kg
HPS100	30kg



Product Catalogue



WALK-BEHIND POWER TROWELS

- Contoured handle for control and comfort
- Handle are welded tri tube for max strength
- Control cables and wires run inside the handle for protection
- Dual safety stop systems
- Lifting hook
- Lifting hook as standard
- Precision machined bronze gear tailored to a hardened ground worm gear
- Impact resistant aluminium gearbox
- Tapered mainshaft for perfect locking fit to spider plate
- Precision machined spider plate and trowel arms to very fine tolerances Ensure minimum wear and a long service life

Extra Horse power options available for 36" and 40" trowel models

MODEL		BN424	BN436	BN436D	BN440	BN446
Operating Weight	kg	50	75	89	85	105
Trowel Diameter	mm (in)	610 (24)	915 (36)	915 (36)	1015 (40)	1165 (46)
Number of Blades		4	4	4	4	4
Speed Range	RPM	40-130	40-130	50-130	40-130	40-150
Blade Pitch Max	Deg	30	30	30	30	30
Engine Make		Honda	Honda	Yanmar	Honda	Honda
Engine Model		GX160	GX200	L48	GX270	GX390
Max Rated Power	Hp	5.5	6.5	4.7	9	13
Fuel Type		Petrol	Petrol	Diesel	Petrol	Petrol

BLADES AND PANS	BN424	BN424	BN436	BN436D	BN440	BN446
Finishing Blades		BN20455	BN20414	BN20414	BN20414	BN20410 or BNWH8X18
Combination Blades		-	BN20479	BN20479	BN20479	BN20480
Pan Float		BN11766	BN11691	BN11691	BNB440PAN	-

concrete power finishing

BN424



BN436



BN446 *INCLUDES D-HANDLES



Product Catalogue

RIDE-ON POWER TROWELS

Bentonelli ride on trowels are built from Italian design offering quality, reliability, long life well balanced, reliable, heavy duty workhorse that will give you years of service and a great return on your capital investment.

- The contoured handle for maximum control and comfort
 - Handle is laterally welded tri tube for max strength
 - Control cables and wires run inside the handle for maximum protection
 - Precision machined bronze gear tailored to a hardened ground worm gear
 - Tapered mainshaft for perfect locking fit to spider plate
 - Dual safety stop systems
 - Chromed guard ring and handle for easy cleaning
 - Lifting hook as standard
 - Impact resistant aluminium gearbox
 - Precision machined spider plate and matched trowel arms to very fine tolerances ensure minimum wear and a long service life
 - Trowel arms grease grooved ensuring grease moves along the entire contact surface ensuring continual free movement and minimal wear
- Which is all backed by a 4 year gear box guarantee*



MODEL		BN36LG	BN36LGH	BN36HG	BN46HG	BN46H	BN46LGH
Operating Weight	kg	300	370	350	520	730	400
Dimensions (L x w x h)	mm	1940 x 990 x 1040	1880 x 1000 x 1200	1950 x 1000 x 1250	2500 x 1300 x 1400	2500 x 1300 x 1400	2450 x 1250 x 1400
Trowel Diameter	mm	915	1850	915	1165	1165	2415
Number of Blades		8	8	8	10	10	10
Speed Range	RPM	50-140	160	50-140	50-140	60-155	165
Blade Pitch Max	Deg	30	30	30	30	30	30
Water Tank Capacity	L	17	17	20	20	20	17
Engine Make		Honda	Honda	Honda	Vanguard	Kubota	Vanguard
Engine Model		GX690	GX690	GX690	B&S	V1505	B&S
Max Rated Power	Hp	27	27	27	35	44 Turbo	35
Fuel Type/Engine Type		Petrol	Petrol	Petrol	Petrol	Diesel	Petrol
Fuel Tank Capacity	L	17	17	20	20	20	17

BLADES & PANS	BN36LG	BN36HG	BN46HG	BN46H	BN36LGH	BN46LGH
Finishing Blades	BN20414	BN20414	BN20410	BN20410	BN20414	BN20410
Wide Finishing Blades	BN20414	BN20414	BNWH8x18-5	BNWH8x18-5	BN20414	BNWH8x18-5
Combination Blades	BN20479	BN20479	BN20480	BN20480	BN20479	BN20480
Pan Float	BN11691	BN11691	BNWH3505	BNWH3505	BN11691	BNWH3505

concrete power finishing

BN36LGH



BN36LG



BN36HG



TROLLEY CART SUPPLIED WITH SELECT MODELS

Product Catalogue

concrete power finishing



15MM THICK PLASTIC BLADES

SLIDE IN AND OUT IN SECONDS



15mm thick Plastic Blades are made of the hardest quality plastic and provide outstanding wear resistance, very low coefficient of friction, and exceptional temperature and impact properties. Concria Slide Blades provide a harder and glossier finish than standard metal finishing blades.

BN46HG



BN46H



BN46LGH

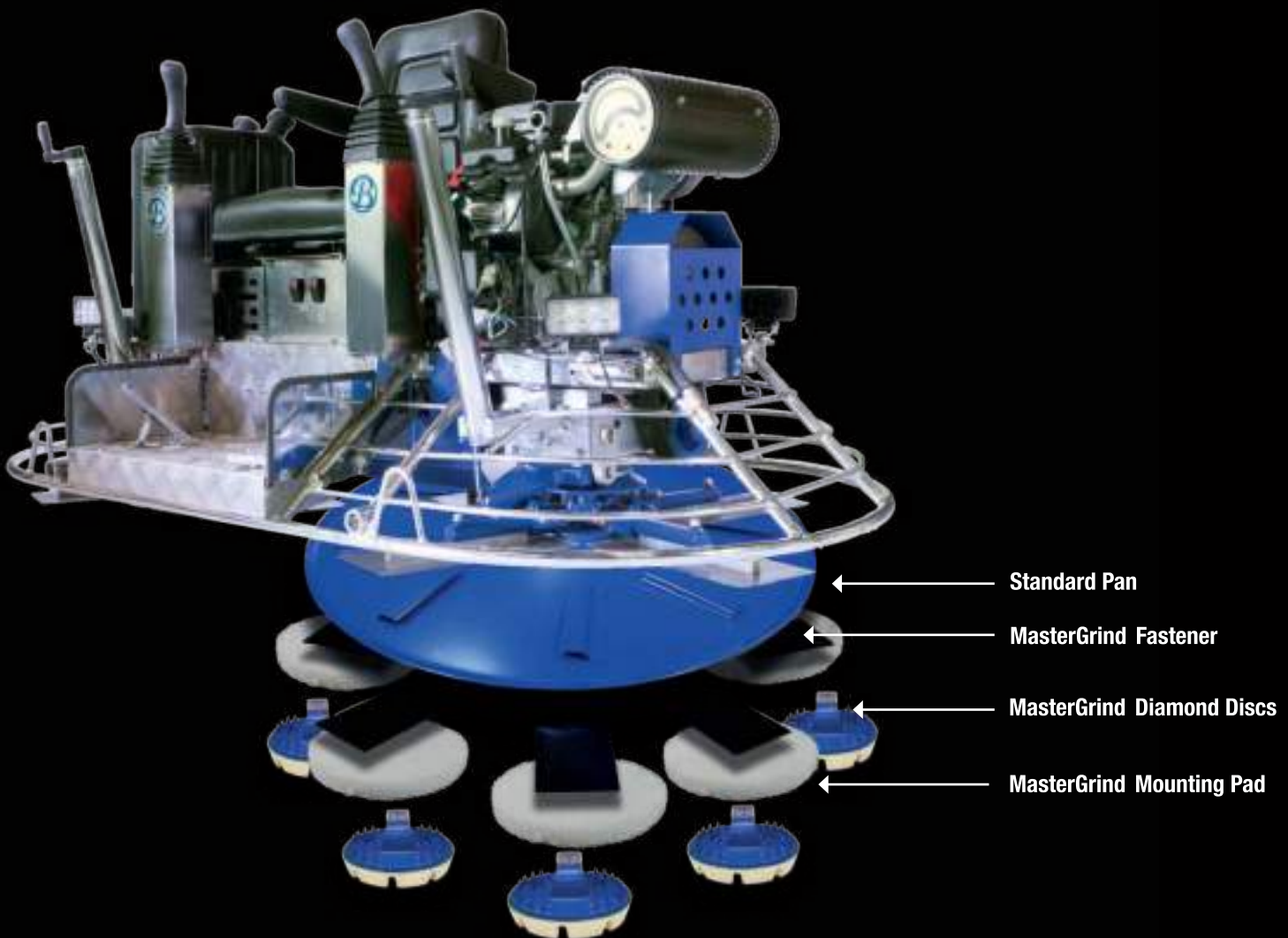


STEP-BY-STEP APPLICATION INSTRUCTIONS



**Transform your power trowel
into a grinding and polishing
machine in just 5 minutes**

Before beginning, always read the MSDS and TDS for complete instructions and safety information for MasterGrind approved chemicals. Always follow manufacturer's instructions for proper operation of the power trowel being used. It is best to prepare a test panel before proceeding to confirm which MasterGrind resin steps to start with and use.



3 STEPS TO LAUNCH MASTERGRIND POLISHING SYSTEM

You need standard pans, MasterGrind Diamond Discs, Mounting Pads, and Fasteners to secure the mounting pads to the pans under the power trowel.

ETA IN SCL 270



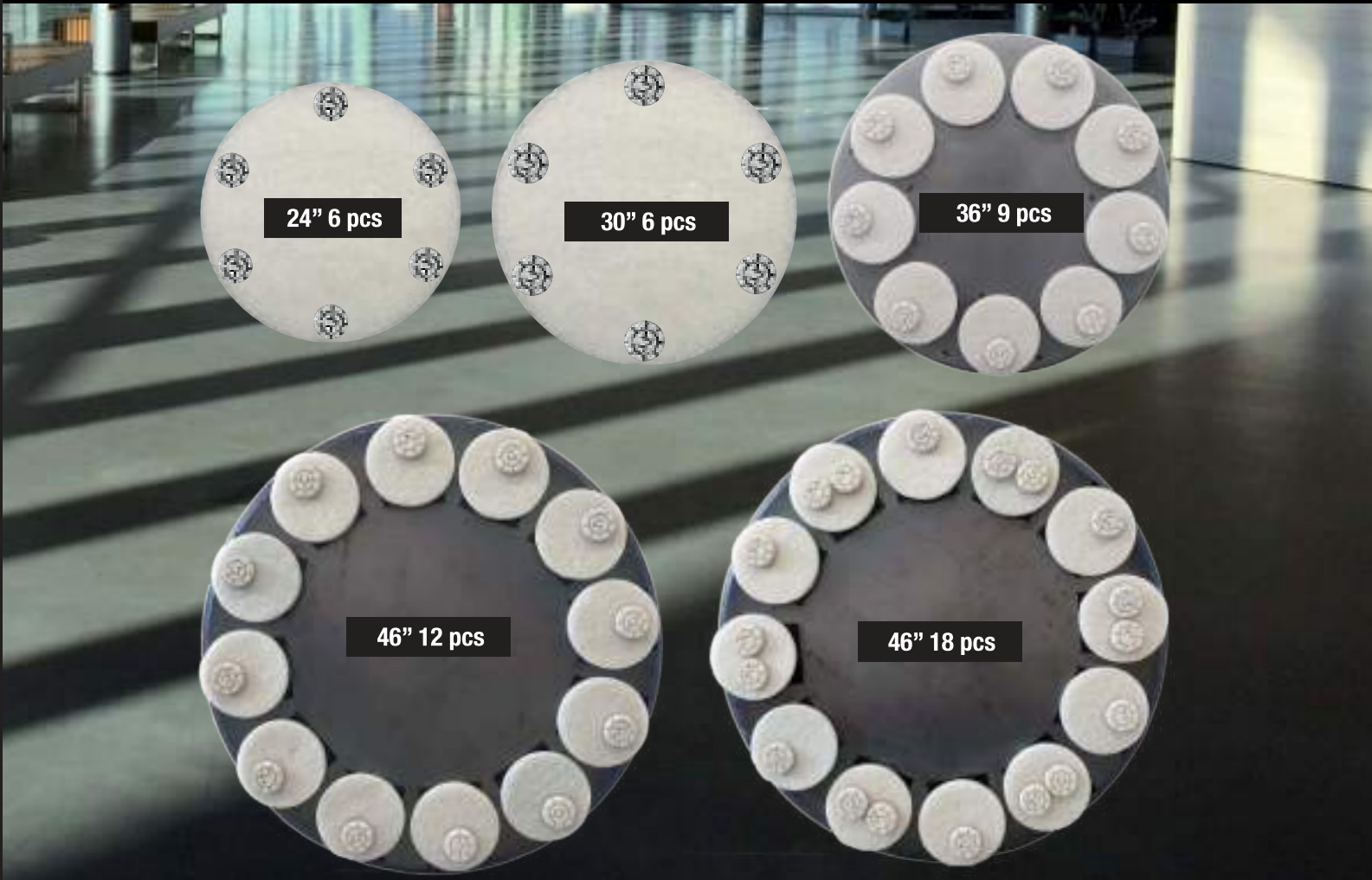
1. Attach fasteners to the new, clean pans.



2. Attach diamond discs using the pre-cut mounting pad slits.



3. Attach the mounting pad to the pan.



The size of pad and the weight of the power trowel determines the number of MasterGrind discs you should use on each pad. **NOTE!** For 46" pans and a machine weight more over 1,700 lbs, attach 18 discs. Under 1,700 lbs, attach 12 discs.



Attach **MasterGrind Fastener** strips evenly on the outside of pan.

24" 4 strips for each pan

30" 6 strips for each pan

36" 9 strips for each pan

46" 12 strips for each pan

- The floor should be free and clear of debris and or metal objects that can interfere with the MasterGrind process. All holes, cracks, and damaged open joints should be fixed/filled before the polishing process begins. The process is only for hard concrete or dry shake hardener. It is not recommend for steel fiber reinforcement concrete if dry shake hardener is not used.
- New concrete should be allowed to cure a minimum of 10-14 days before using the MasterGrind Polishing System.
- Establish a grinding starting point on new or old concrete MasterGrind Step 0 (25#), Step 1 (50#), Step 2 (100#), or Step 3 (200#).
- 2-4 passes are required at each polishing step. This will depend on flooring condition and power trowel down-pressure. If your MasterGrind Diamond discs are new, you will need to expose the diamonds. We recommend running in random patterns until you start to see concrete slurry being produced. Then, begin your distinct pattern of 2-4 passes.

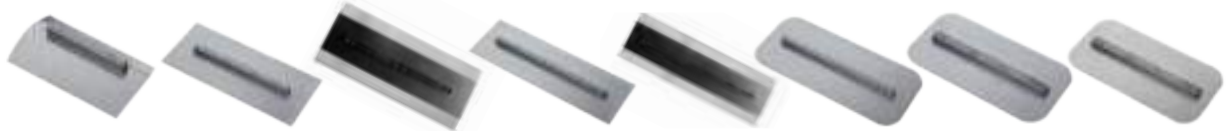
MasterGrind POLISHING PROCESS



Product Catalogue

FINISHING BLADES

Finishing blades are designed to produce a smooth and polished finish to the concrete surface. After the slab has firmed up, blade pitch is increased to a greater angle resulting in a smooth and polished finish.



MODEL		BN20455	BN20430	BN20407	BN20414	BN20414PL	BN20410	BN20410PL	BNWH8X18-5	BND34-3	BND40-2
Size	mm	120 x 230	152 x 261	152 x 261	152 x 355	152 x 355	152 x 460	152 x 460	210 x 460	150 x 325	150 x 375
Size	in	4.75" x 9"	6 x 10.5	6 x 10.5	6" x 14"	6" x 14"	6" x 18"	6" x 18"	8" x 18" (5pk)	6" x 12.75"	6" x 14.75"
Weight	kg	2.20	4.80	4.80	4.80	4.80	6.20	6.20	12.75	5.20	6.00
Pack Size		4 Blades	4 Blades	4 Blades	4 Blades	4 Blades	4 Blades	4 Blades	5 Blades	4 Blades	4 Blades
To Suit		BN424	MasterPac PMT30H	BN430	BN436 / BN836 / BN440	BN436 / BN836 / BN440	BN446 / BN846	BN446 / BN846	BN446 / BN846	BN34	BN40
Material		steel	steel	steel	steel	plastic	steel	plastic	steel	steel	steel

COMBINATION BLADES

Combination blades are designed for operators who wish to use one blade for both floating and finishing applications. During the initial stages of power trowelling the blade is set flat and is used for floating, as the slab firms up the blade pitch is increased to produce a smooth finish.



MODEL		BN20479	BN20479PL	BN20480	BN20480PL	BNS34-18	BNS40-18	BN20415	BN20411
Size	mm	205 x 355	205 x 355	205 x 455	205 x 455	185 x 322	195 x 370	254 x 355	254 x 457
Size	in	8" x 14"	8" x 14"	8" x 18"	8" x 18"	7.25" x 12.50"	7.75" x 14.50"	10" x 14"	10" x 18"
Weight	kg	6.00	6.00	8.00	8.00	7.20	8.50	6.50	9.00
Pack Size		4 Blades	4 Blades	4 Blades	4 Blades	4 Blades	4 Blades	4 Blades	4 Blades
To Suit		BN436 / BN836 / BN440	BN436 / BN836 / BN440	BN446 / BN846	BN446 / BN846	BN34	BN40	BN436 / BN836 / BN440	BN446 / BN846
Material		steel	plastic	steel	plastic	steel	steel	steel	steel

PAN FLOATS

Pan floats clip onto both finishing or combination blades. Pan floats with their large surface area achieve flatter floors than traditional float blades as they are more efficient in removing imperfections, bumps and voids.



MODEL		BN11766	BN11866	BN11691	BN11691SP	BN440PAN	BN11692	BNWH3505	BNWH3506	BNWH3505FLAT	BNWH3505PL
Size	mm	605	750	940	940	1050	1230	1175	1175	1175	1175
Size	in	24"	30"	37"	37"	41.25"	48.5"	46.25"	46.25"	46.25"	46.25"
Weight	kg	5	5.5	18	18	26	30	28	28	28	30.00
Type		4 - Blade	4 - Blade	4 - Blade	4 - Blade	4 - Blade	4 - Blade	5 - Blade	6 - Blade	5 - Blade	5 - Blade
Connection Type		Clip	Clip	Clip	Safety Pin	Clip	Clip	Safety Pin	Safety Pin	Safety Pin	Safety Pin
To Suit		BN424	BN30	BN436 / BN836 /	BN436 / BN836	BN440	BN846	Whiteman / Allen	Whiteman / Allen	Whiteman / Allen	Whiteman / Allen

1175 5 bladed super flat pans available - Z clip quick fit system - Model no BN11414

Selected styles available in plastic.

STEEL FLOAT PANS

All States produce pans for riding trowels which are the industry choice when high FF numbers are specified on a concrete floor. Our pan tolerances cut bumps and fill low spots in the concrete floor. Made to the same tolerances as the trowels themselves, nothing finishes better.

TWO TYPES OF PANS

We offer two types of pans, the Flat (0mm to 3mm dish) and the Mild Dished (6.3mm to 9.5mm) steel pans. This gives contractors more pan choices.



SLIDE BLADES

REVOLUTIONARY, PATENTED PLASTIC SLIDE BLADES

Patented Slide Blades can be easily slid on the standard 6" metal finishing blades in just seconds without any screwing. Time plays a significant role in the concrete finishing. It takes 30-60 minutes to change standard blades, but Slide Blades can be changed in just few seconds. Longevity, quick to change and better price per square foot equalizes to the Slide Blades becoming an everyday finishing blade. Slide Blades consumption is 1500 m²-5000 m² depending do you use on every stage of finishing or just for the final passes. Plastic or teflon blades have specified for long time for all decorative concrete projects such as stain, dye, shake on, integral pigments, polished etc. Burnished steel trowel finish increases the potential for mottling and difficulty in uniformly polishing the slab. Slide Blades totally eliminates the risk of leaving dark burnish marks while power troweling concrete or dry shake hardener floors.

FEATURES

- No burn marks
- Better shine
- No scratches
- Use on every stage of finishing or change quickly under trowel for final passes to eliminate burn marks
- Produce a really uniform and aesthetic surface
- Provide perfect finishing for polished concrete or color hardener project
- High wear resistance, in most cases last longer than steel blades
- Minimize plastic shrinkage
- Much stiffer than poly and regular plastic blades
- Maximum thickness 15 mm/0,6 inch
- Very low coefficient of friction

15MM THICK PLASTIC BLADES



Product Catalogue

CURING COMPOUND SPRAYER

Our powerful, reliable and durable Betonelli Power Sprayers are the preferred tool for applying release agents, water-based sealants and curing compounds on concrete construction sites. The continuous recirculating system ensures your material is always well mixed and ready to spray. Available in barrel, cart, tow or skid mount.

MODEL	BN-SPRAYER- COLD EMULSION SPRAYER		
Engine	Honda GX160LX	2:1 reduction engine	3.6 KW
Pump	Koshin GL-13-10	1MPa (max) @ 20 l/ min (max)	1720 rpm
In-line Filter	Washable stl steel element		
Chassis	L 1250mm x W 700mm x H 1050mm with handle up	Weight = 109 kg	

- High Production - many times the daily output of hand sprayers
- Sprays cold emulsion with ease
- High efficiency cuts labour costs
- Light, manouverable, compact
- Eliminates 'spotching'
- Far greater economy through more even distribution
- Gives smooth, even spray
- Easily transportable
- Robust construction takes rough handling
- No operator fatigu

FEATURES

- PS1 - 100 PSI (max) – Pump has built in relief valve system, allowing various pressure settings
- Nozzle - 2 x 65 degree overlapping nozzles
- Hand lance - 1,2m, with operator handle and quick action shut-off valve
- Hose - size and diameter - 15m x 12.5mm (½”) oil resistant, re-inforced flexible HP hose.
- Steering - Front end with turn table steering.
- Wheels - size - drum side - 350mm (14”) x 75mm (3”), 250mm (10”)x 50mm (2”) turn-table



curing compound sprayer



EARLY ENTRY SAW

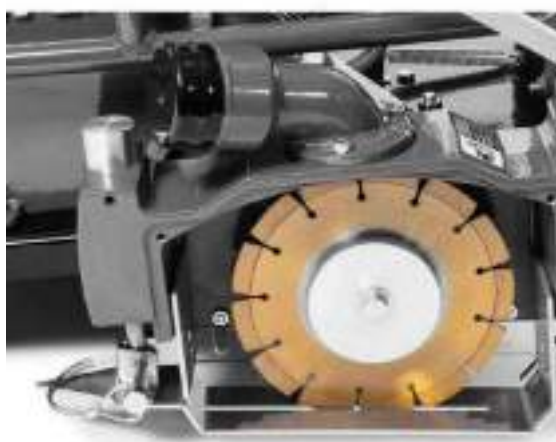
BNSC150

Soft Concrete Cutter is designed to provide control for random cracking of concrete slabs. The machine allows the saw cut to be done while the concrete is still “green”. The cutter should be used as soon as the concrete can support the weight of the user and machine without leaving any marks or damage to the concrete surface. Usually within one to two hours of finishing and before final setting.

FEATURES

- Complete with blade and skid plate
- Folding handle to reduce space during transportation
- Suitable for control joint cutting in green concrete
- Maximum depth of cut 30mm
- Long working life
- Robust frame construction
- Powered by Honda GX120

MODEL		BNSC150
Dimension	LxWxH (approx. mm)	1,125 x 500 x 935
Operating Weight	(kg)	35
Maximum Cutting Depth	mm	30
Blade Size	(mm)	150
Cutting Width	(mm)	2.4
Engine		HONDA GX120



REPLACEMENT BLADES AND SKID PLATE AVAILABLE

Product Catalogue

RAKES

PART NO.	DESCRIPTION
BN-RAKEPP	Concrete Rake-Dual-Pull & Push 1650mm



ALUMINIUM BULLFLOATS

PART NO.	DESCRIPTION
BNMP1200	BULLFLOAT 1200MM
BNMP1500	BULLFLOAT 1500MM
BNMP1800	BULLFLOAT 1800MM

These lightweight and hard wearing bullfloats are made from the finest extruded material. They are multi-ribbed for strength with the standard blade being rounded. The complete assembly comes with a pitch control gearhead and three snaplock extension handles.



*Suitable for Clip Together or Telescopic Handles.

VARIABLE POSITION SCREEDS

PART NO.	DESCRIPTION
BNC18	SCREED CLAMPED HANDLE 1800MM VIAL
BNC24	SCREED CLAMPED HANDLE 2400MM VIAL
BNC30	SCREED CLAMPED HANDLE 3000MM VIAL

The variable position screed is extremely light and to help cut bumps and smooth the concrete surface it has rounded and square profile edges. The clamp handle can be reversed to the other side of the beam to for longevity of the screed. A level bubble completes the screed.



HANDLES & ADAPTORS

PART NO.	LENGTH (M)	FEATURES
BN0076	HANDLE TELESCOPIC EXTENSION - EXTENDS FROM 2.75M TO 5M	Lock nut handle length adjustment
BN0588	HANDLE CLIP TOGETHER 1.8 METRE	Clip together handle
BN10076E	HANDLE TELESCOPIC ADAPTOR	Removable adaptor tube
BNSB	STANDING BRACKET	



CONCRETE FINISHING BROOMS

PART NO.	DESCRIPTION
BN1574	BROOM 900mm

*Suitable for Clip Together or Telescopic Handles.





POINTED TROWELS

PART NO.	DESCRIPTION
BN101P	Pointed Trowel, 120x365mm,
BN109P	Pointed Trowel, 100x355mm, Steel
BN191P	Pointed Trowel, 115x405mm, Steel,
BN192P	Pointed Trowel, 115x450mm, Steel,

Hard Plastic Handle



SQUARE TROWELS

PART NO.	DESCRIPTION
BN102	Square Trowel, 280x120mm, Steel
BN162	Square Trowel, 280x120mm, Heavy Steel
BN181	Square Trowel, 115x405mm, Steel,



MARBLE SHEEN TROWELS

PART NO.	DESCRIPTION
BN120	Marble Sheen Trowels, Length 300mm, Steel
BN121	Marble Sheen Trowels, Length 350mm, Steel
BN122	Marble Sheen Trowels, Length 450mm, Steel
BN126	Marble Sheen Trowels, Length 555mm, Steel,



Product Catalogue

SERRATED TROWELS

PART NO.	DESCRIPTION
BN1QTF	4.5mm serrated teeth
BN1QTF2	6mm notched square teeth



CAST TOOLS

PART NO.	DESCRIPTION
BN11A	Jointer Cast Tools, 150x75mm, D10
BN13B	Jointer Cast Tools, 150x75mm, D12
BN18E	Cast Tools, 200x75mm, D25
BN19G	Cast tool Non-slip Groove



FRESNO TROWELS

PART NO.	DESCRIPTION
BN607	Fresno Trowel 600x115x0.7mm Round ends, tilt Mechanism on BNacket fitted, Mn steel blade



*Suitable for Clip Together or Telescopic Handles.

STEEL FLOATS - STAINLESS STEEL

PART NO.	DESCRIPTION
BN219S	Floats, 150x380mm, Stainless Steel
BN209S	Floats, 160x210mm, Stainless Steel



MAGNESIUM FLOATS

PART NO.	DIMENSIONS
BN251	Magnesium Floats, 79x406mm
BN252	Magnesium Floats, 79x508mm



EDGERS - STAINLESS STEEL

PART NO.	DESCRIPTION
BN401S	Edgers, Radius-5mm, Width-75mm, Length-140mm, Depth-12mm, Stainless Steel
BN403S	Edgers, Radius-10mm, Width-75mm, Length-140mm, Depth-19mm, Stainless Steel
BN406S	Edgers, Radius-6mm, Width-100mm, Length-150mm, Depth-14mm, Stainless Steel
BN414S	Edgers, 45 Degree Angle, 125x25mm, Stainless Steel
BN702S	Large Edgers, 22mm, 112mm, Stainless Steel
BN703S	Large Edgers, 25mm, 112mm, Stainless Steel



WALKING TROWEL - STAINLESS STEEL

PART NO.	DIMENSIONS
BN555	Walking Trowel 600x120x0.7mm Round ends, Mn steel blade
BN557	Walking Trowel, 600x120x0.7 mm Round Ends, Stainless Steel



*Suitable for Clip Together or Telescopic

KNEE BOARD PLASTIC

PART NO.
BN110209



Product Catalogue

SURFACE SCARIFIERS

FEATURES

- Versatility - Scarifier with a cutting width of 200 mm (8"), ideal for concrete or asphalt surfaces.
- A variety of multipurpose, interchangeable tools
- Handling - The machine combines lightweight with compact size.
- Economical - The machine gives unsurpassed value & return on your investment in time & equipment.
- Adjustable - The fine pitch tool height adjustment is responsive to your needs & extends tool life
- A dust control outlet is fitted to allow use with an optional dust extractor.

MODEL	BNSP8H
Path	200 mm (8")
Power source	Honda Petrol
Weight	61 kg

TUNGSTEN CUTTER CAGE

MODEL	BN-139
Part No.	Assembly Milling of misaligned footpath, scabbling of concrete surfaces and milling concrete joints.



PRESSURE WATER PUMP

FEATURES

- 1x Honda 4000 psi
- AR Italian pump
- Honda 13 HP engine 3 year warranty
- AR Italian pump
- 4000 psi
- 15 Lpm
- 30m Hose.

MODEL	
Motor	Honda 13 HP engine
psi	4000
Lpm	15





PLANETARY FLOOR GRINDER



BN-550-3D



BN-750-3D



Model	BN-550-3D	BN-750-3D
Motor Brand	WEG Motor	
Inverter Brand	Veichi Inverter	Delta Inverter
Motor Power (kw)	4	11
Rotating Speed (rpm)	450-1500	450-1950
Weight (kg)	250	340
Working Width (mm)	490 (220x3)	750 (256x3)



ACCESSORIES

DIAMOND PADS - FOR GRINDING



Model	BN-A2C	BN-A2L
Segments	H-2*10*10*40	H-2*13*16*35
Bond	Hard, medium, soft concrete	
Application	Concrete wet / dry polishing	
Grit	5# - 300#	
Mostly used for	Asian condition	Western condition

EPOXY REMOVAL

Model	BN-1/4PCD+1C
Segments	1/4pcd
Application	Dry polishing
Function	Remove coating



RESIN PADS - FOR POLISHING



Model	BN-C3510
Size	3.5 inches
Thickness	10mm
Application	Dry polishing
Grit	50# - 3000#



**Compact on size.
Big on Features!**

CUB GRINDER

This high torque single phase grinder is ideal for both hire companies, and for those small to medium sized jobs the professionals come up against. The unique, more efficient "floating" dust shroud system eliminates dust loss when used with an industrial vacuum. This system automatically adjusts to suit segment height and surface angle and, with a removable front section, enables right up to the wall finishing. The grinder can be used with a (universal) knock on shoe system or can be used with 10 inch plate.



Features & Benefits

- Robust design
- Direct drive 2.2kW motor 10 Amp
- Floating Dust shroud
- Lightweight
- Vacuum port
- Wet and Dry use

Model	Working Width	Motor	Working Speed	Weight
BNGRINDER	250mm	2.2kW/230V	1450rpm	46kg

GRINDER ACCESORIES

BN REDILOCK and Quick-Fit Grinding Shoes are available in a number of bond hardness for use on materials ranging from soft and porous surface such as rain damaged concrete and asphalt, super hard cured concrete and for the removal of epoxies and glues.

① REDILOCK



② Quick-Fit



① REDILOCK GRINDING SHOES



Product Code: BN1010THC
Grit sizes from 16 through to 120




SOFT BOND (WHITE)
Soft Bond Diamonds
for floors that have been
power trowelled or burned.
For use on hard concrete.



MEDIUM BOND (GREY)
Medium Bond
Diamonds for average
strength concrete floor.



HARD BOND (BLACK)
Hard Bond Diamonds
for soft floors and
asphalts.

Part Number	Description	Color	Diamond Grit Size
BNSHOE-W16#	REDILOCK SOFT BOND 16 GRIT	White	16GR
BNSHOE-W30/40#	REDILOCK SOFT BOND 30/40 GRIT	White	30/40GR
BNSHOE-W60/70#	REDILOCK SOFT BOND 60/70 GRIT	White	60/70GR
BNSHOE-W100/120#	REDILOCK SOFT BOND 100/120 GRIT	White	100/120GR
BNSHOE-G16#	REDILOCK MEDIUM BOND 16 GRIT	Grey	16GR
BNSHOE-G30/40#	REDILOCK MEDIUM BOND 30/40 GRIT	Grey	30/40GR
BNSHOE-G60/70#	REDILOCK MEDIUM BOND 60/70 GRIT	Grey	60/70GR
BNSHOE-G100/120#	REDILOCK MEDIUM BOND 100/120 GRIT	Grey	100/120GR
BNSHOE-B16#	REDILOCK HARD BOND 16 GRIT	Black	16GR
BNSHOE-B30/40#	REDILOCK HARD BOND 30/40 GRIT	Black	30/40GR
BNSHOE-B60/70#	REDILOCK HARD BOND 60/70 GRIT	Black	60/70GR
BNSHOE-B100/120#	REDILOCK HARD BOND 100/120 GRIT	Black	100/120GR
BNSHOE/PCD	REDILOCK PCD EPOXIE AND GLUE REMOVAL	Red	PCD
BN10x5HC	HARD CURED CONCRETE FLOORS	White	
BN10x10HC	HARD CURED CONCRETE FLOORS	White	
BN10x20HC	HARD CURED CONCRETE FLOORS	White	
BN10x10SC	SOFT POROUS CONCRETE ASPHALT	Black	30/40GR

② QUICK-FIT GRINDING SHOES



Product Code: BN-QFPLATE
Grit sizes from 20 through to 80



SOFT BOND (WHITE)
for floors.
That have been power
trowelled or burned.
Use for hard concrete.



MEDIUM BOND (GREY)
for average strength
concrete floors



HARD BOND (BLACK)
for soft floors and
asphalts



PCD BOND (PURPLE)
epoxies & glue removal

Product Code	Application	Color	Diamond Grit Size	Number of Segments
BNQFHC20	HARD, CURED CONCRETE FLOORS	White	20GR	2T
BNQFHC30/40	HARD, CURED CONCRETE FLOORS	White	30/40GR	2T
BNQFHC80	HARD, CURED CONCRETE FLOORS	White	80GR	2T
BNQFMC20	MEDIUM HARDNESS CONCRETE	Grey	20GR	2T
BNQFMC30/40	MEDIUM HARDNESS CONCRETE	Grey	30/40GR	2T
BNQFMC80	MEDIUM HARDNESS CONCRETE	Grey	80GR	2T
BNQFSC20	SOFT, POROUS CONCRETE ASPHALT	Black	20GR	2T
BNQFSC30/40	SOFT, POROUS CONCRETE ASPHALT	Black	30/40GR	2T
BNQFEPOXY30/40	EPOXIES&GLUE REMOVAL	Purple	30/40GR	3T

Product Catalogue

FLOOR / ROAD SAWS

Continuous rim blade for use on power tools, tile saws for precise and chip free cutting of granite, ceramic, terracotta and porcelain tiles. Can be used wet or dry.

FEATURES

- Prevent random cracking and premature joint failure.
- Lightweight with heavy-duty construction
- VACUUM port to hook-up blade guard.
- Suitable for CONTROL JOINT CUTTING in green concrete and DECORATIVE CUTTING in cured concrete,
- LIGHT SLAB* Easy-remove, rustless poly water tank provides an optimum flow and volume of water to the blade.
- Easy-remove, poly water tank provides an optimum flow and volume of water to the blade.
- Saws to the edge of walls and columns.
- Centre blade mount design for straight line cutting.
- REAR POINTER drops into cut to ensure straight cutting.
- Adjustable handle height for comfort.
- EASY CRANK for raising/lowering cutting depth.

MODEL	PFG10H
Engine	Petrol Honda GX200, 6.5 hp
Blade Size (mm)	254
Depth of Cut (mm)	82.6
Dimensions (mm)	1665 x 340 x 920
Weight (kg)	50

Blade not included



Part no PFG10H
10" BLADE
to suit green saw

FEATURES

- Dual blade flanges & reversible guard enable right and left hand cutting.
- Rugged adjustable pointer wheel assembly is durable and accurate, helping ensure straight cut.
- Strong protected frame for easy transportation and protect engine.
- Super-rigid box frame ensures straight cuts while resisting warping and vibration - prolongs saw life: extends blade life.
- Quality shaft bearings for long service life.
- Easy crank for raising/lowering blade depth.
- Comfortable grip handles.
- Hinged front, lift-up blade guard is designed to provide easy blade replacement.
- Saw position guide helps ensure straight cuts.
- Water system provides an optimum flow and volume of water to the blade.

MODEL	PMF14H
Engine	Honda GX200
Blade Size (mm)	300-350
Depth of Cut (mm)	110
Dimensions (mm)	1016 x 1143 x 330
Weight (kg)	77

Blade not included

MODEL	PMF16H
Engine	GX270QXC9
Blade Size (mm)	400
Depth of Cut (mm)	135
Dimensions (mm)	1016 x 1143 x 330
Weight (kg)	106

MODEL	PMF20H
Engine	GX390QXC9, 13 hp
Blade Size (mm)	500
Depth of Cut (mm)	184
Dimensions (mm)	1016 x 1143 x 330
Weight (kg)	125



MASTERPAC RAMMERS

Masterpac four stroke rammers are perfectly balanced to deliver hard hitting compaction as well as operator comfort whilst delivering low noise and vibration to the operator.

FEATURES

- Reliable 4-stroke engine delivers low emissions and noise.
- Ingenious throttle lever for smooth operation.
- Heavy stock mount system reduces hand/arm vibration and improves operator comfort.
- Durable plastic fuel tank offers longer life and is rust free.
- Laminated timber and steel shoe absorbs and withstands vibration shock.
- Protective top frame cover eliminates possible damage to the engine.
- Innovative engine side cover protects and guards recall starter from impact.
- Convenient rollers for easy loading (PMR60H, PMR68H only).
- Perfectly balanced while delivering Ideal compaction with controlled jumping motions without affecting the Impact force.
- German manufactured polyurethane ribbed bellow for long life.
- Optional trolley kit for easy transportation.

MODEL		PMR60H
Operating Weight	kg	60
Shoe Size (w x l)	mm	265 X 310
Jumping Stroke	mm	50-85
Impact Force (Max)	kN	10.7
Engine Make		Honda
Engine Model		GX100
Max Rated Power	Hp	3
Fuel Type		Petrol
Fuel Tank Capacity	L	2.8

MODEL		PMR70H
Operating Weight	kg	70
Shoe Size (w x l)	mm	340 x 285
Jumping Stroke	mm	40-85
Impact Force (Max)	kN	13.0
Engine Make		Honda
Engine Model		GXR120
Max Rated Power	Hp	3.6
Fuel Type		Petrol
Fuel Tank Capacity	L	2.8

MODEL		PMR85D
Operating Weight	kg	85
Shoe Size (w x l)	mm	285 x 330
Jumping Stroke	mm	40-80
Impact Force (Max)	kN	18
Engine Make		Yanmar
Engine Model		L48
Max Rated Power	Hp	4.8
Fuel Type		Diesel
Fuel Tank Capacity	L	2.8

WORKING SIZE (MM)					
	H	W	D	Plate W	Plate D
PMR68H	1028	345	703	285	330
PMR85D	1040	410	703	285	330



PMR70H



PCMR85D

Dimensions measured from 'front on'.

Product Catalogue

MASTERPAC TAMPING RAMMER

PMR60HN/PMR60RN/PMR70HN/PMR70RN

Masterpac four stroke rammers are perfectly balanced to deliver hard hitting compaction as well as operator comfort, delivering low noise and vibration to the operator.

MODEL	PMR70HN
Engine Type	Honda GXR120
Power kw(hp)	2.7(3.6)
Weight kg(lb)	65(143)
Impact Force kN	12.0
Jumping Stroke mm(in)	35-80(1.4-3.2)
Fuel Tank L(Gal)	2.5(0.66)
Shoe Size mm(in)	340x265(13.4x11.2)



Tachometer for RPM and Hours standard.



Throttle operation with integrated engine shutoff.



Strong cyclone air filter.



Optional transport wheel.



Engine protection frame with full wrap around.



Convenient roller for easy loading.



5-3-2 YEAR
WARRANTY
UNMATCHED PROTECTION

Protective top frame cover eliminates possible damage to the engine

Heavy duty throttle lever with engine shutoff

Ingenious fuel cap with one way vent, tether and safety lock

Extra fuel filter

New designed intergrated air filter with high efficcency filtration

German manufactured polyurethane ribbed bellow

Lifting Handle

Laminated wood and steel shoe



Product Catalogue

MASTERPAC FORWARD PLATE COMPACTOR

MODEL	PC45R PCV45R	PC70H PCV70H	PC90H PCV90H	PC110H PCV110H
Engine Type	Robin EH09	Honda GX 160	Honda GX 160	Honda GX 160
Power kw(hp)	1.5(2.0)	2.6(3.5)	4.0(5.5)	4.0(5.5)
Weight kg(lb)	45(99)	62(137)	85(187)	102(225)
Plate Size L X W (in)	47x29(18.5x11.4)	50x36(21x14)	57x40(22x16)	57x50(22x20)
Centrifugal Force kN	6.7	10	15	20
Vibration Frequency vpm (Hz)			95	
Travel Speed m/min(ft/min)	25(82)		25(82)	



*Casted Iron base and Gear box
3-year warranty



*5.5 Hp Honda Gx160 Engine



*Optional Anti-vibe handle for lower vibration and comfortable operation



*Built-In Rubber isolation
Quick disconnect handle





Plate compactors are suitable for a wide range of compaction applications. They are highly portable, easily manoeuvrable and deliver excellent compaction results.

FEATURES

- Solid, high strength steel base plates with curved edges.
- Heavy duty handle mounts reduce operator fatigue.
- Central lifting hook for easy and safe onsite handling.
- Conveniently placed side lifting handles.
- Fold over or fold down handles for easy transport and storage.
- Fixed wheels for easy transportation around sites (CP60/70 Only).



plate compactors

MODEL		BNMP80
Operating Weight	kg	90
Plate Size (w x l)	mm	460 x 610
Centrifugal Force (Max)	kN	19.8
Vibration Frequency	V.P.M	7,000
Max Travel Speed	m/min	26
Max Gradeability	%	35
Max Compacted Area	m ² /h	717
Engine Make		Honda
Engine Model		GX160
Max Rated Power	Hp	5.5
Fuel Type		Petrol

Product Catalogue

MASTERPAC FORWARD PLATE COMPACTORS

Masterpac plate compactors are suitable for a wide range of compaction applications. Offering superior build quality and standard features such as water tank, wheel kit and anti-vibration flip over handles, no other plate compactors come close.

FEATURES

- ° Solid, high strength steel base plate with curved edges provides top performance.
- ° Robust design sealed belt cover for Clutch and Belt protection.
- ° Anti vibration removable handle for easy transportation.
- ° Transport wheel for easy transportation around sites as standard.
- ° Water tank for asphalt use as standard.
- ° Optional polyurethane pad for paving is available for all single direction models.

MODEL		PCV3610H	PCV4515H	PCV4515L
Operating Weight	kg	61	90	98
Plate Size (w x l)	mm	360 x 490	450 x 570	450 x 570
Centrifugal Force (Max)	kN	10	15	15
Vibration Frequency	BNM	5900	5400	5400
Max Travel Speed	m/min	20	24	24
Max Gradeability	%	35	35	35
Max Compacted Area	m ² /h	432	648	648
Water Tank Capacity	L	9	14	14
Engine Make		Honda	Honda	Kohler
Engine Model		GX160	GX160	LD225
Max Rated Power	Hp	5.5	5.5	4.8
Fuel Type		Petrol	Petrol	Diesel
Rubber Paving Mat		MP-3610PM	MP-4515PM	MP-4515PM

WORKING SIZE (MM)				
	L	H	Plate L	D
PCV3610H	868	920	490	360
PCV4515H	1070	940	570	450
PCV4515L	1070	940	570	450



PCV4515



PCV3610

plate compactors

Product Catalogue



MASTERPAC REVERSIBLE PLATE COMPACTORS

Masterpac reversible plate compactors are ideal for high production and efficient compaction of sand, gravel and cohesive soils in trenches and large construction projects.

FEATURES

- Hydraulic adjustment control lever for easy direction change.
- User friendly vibration isolated handles.
- Fully sealed lubricated wear resistant cast iron vibrator assembly.
- On the spot compaction for problem areas.
- Handle folds to 90 degree position for ease of transportation.
- Infinitely variable hydrostatic forward and reverse motion.
- Reverse travel safety protection ensure the plate automatically reverts to slow forward travel if the operator releases the travel control lever while reversing.
- Impact-resistant and open self cleaning base plate.
- Unique built-in transport wheels provides easy transportation (PCR4025H only).
- Convenience oil drain hose.

MODEL		PCR3820H	PCR4025H	PCR6040H	PCR6040L	PCR7060L
Operating Weight	kg	110	145	355	375	465
Plate Size (w x l)	mm	380 x 580	400 x 650	600 x 900	600 x 900	700 x 900
Centrifugal Force (Max)	kN	20	25	40	40	60
Vibration Frequency	BNM	5400	5400	4140	4140	4140
Max Travel Speed	m/min	22	22	20-24	20-24	20-25
Max Gradeability	%	25	30	30	30	30
Max Compacted Area	m ² /h	500	528	864	864	864
Engine Make		Honda	Honda	Honda	Kohler	Kohler
Engine Model		GX160	GX160	GX270	15LD440	15LD440
Max Rated Power	Hp	5.5	5.5	9	11	11
Fuel Type		Petrol	Petrol	Petrol	Diesel	Diesel

WORKING SIZE (MM)				
	L	H	Plate L	D
PCR3820H	1155	1000	580	380
PCR4025H	1245	1008	650	400
PCR6040H	1540	1047	900	600
PCR6040L	1540	1047	900	600
PCR7060L	1585	1040	900	708





PEDESTRIAN ROLLER COMPACTORS

FEATURES

- Deadman Control and Reversing Protection for maximum operator safety.
- Ergonomically designed height-adjustable handle offers convenience and comfort to operator.
- Self-Cleaning scrapers prevent the buildup of dirt.
- Bevelled drum edge leave no mark on the ground and asphalt.
- Side Clearance and Kerb Clearance allow for a closest approach to pavement, wall, kerb and other obstacles.
- Compact design for easy handling in confined areas.
- Thick drum shells for longer drum life.
- Large corrosion-free water tank feature in easily removable for filling or cleaning.
- Hydrostatic drive system provide infinitely variable forward and reverse speed.
- Low maintenance with sealed for life vibrator bearings and robust protection for travel and vibration housing.



MODEL	ENGINE TYPE	POWER (KW/HP)	OPERATIONS WEIGHT (KG)	DRUM DIAMETER (MM)	CENTRIFUGAL FORCE (KN)	STATIC LINEAR FORCE (N/CM)	FREQUENCY (KW VMP/HZ)	TRAVEL SPEED (KM/H)	WATER TANK CAPACITY (L)
SVR58H	Honda GX160	4.0/5.5	185	580 x Ø400	10	28.5	4560/70	0-1.5	15
DVR65L	Lombardini 15LD440	8.1/11	718	650 x Ø404	21	54	3300/55	0-3.6	65



soil compaction

DIAMOND BLADES

ASHPHALT BLADES				WET CUT
PART NO.	DESCRIPTION	COLOUR	SIZE	ARBOR
BN-12A	Ashphalt	Black	300mm (12')	25mm
BN-12AX20	Ashphalt	Black	300mm (12')	25mm
BN-14A	Ashphalt	Black	350mm (14')	25mm
BN-16A	Ashphalt	Black	400mm (16')	25mm
BN-18A	Ashphalt	Black	450mm (18')	25mm
BN-20A	Ashphalt	Black	500mm (20')	25mm
BN-24A	Ashphalt	Black	600mm (24')	25mm
CONCRETE BLADES				WET CUT
BN-12C	Concrete	White	300mm (12')	25mm
BN-14C	Concrete	White	350mm (14')	25mm
BN-16C	Concrete	White	400mm (16')	25mm
BN-18C	Concrete	White	450mm (18')	25mm
BN-20C	Concrete	White	500mm (20')	25mm
BN-24C	Concrete	White	600mm (24')	25mm
COMBINATION BLADES				WET CUT
BN-14CA	Concrete	Grey	350mm (14')	25mm
BN-14CB	Concrete	Grey	350mm (14')	25mm
BN-16CA	Concrete	Grey	400mm (16')	25mm
BN-18CA	Concrete	Grey	450mm (18')	25mm
BN-20CA	Concrete	Grey	500mm (20')	25mm
BRICK BLADES				WET CUT
BN-14B	Brick	Red	350mm (14')	25mm
BN-14HB	Hard Brick	Yellow	350mm (14')	25mm
SEGMENTED SAW BLADES				DRY CUT
BN-230022S	Brick/Stone/Ashphalt	Orange	229mm (9')	22mm
BN-11516S	Brick/Stone/Ashphalt	Orange	115mm (4.5')	16mm
BN-EJ10X5	Grout/Mortar/Exp.Joint	Silver	300mm (12')	25mm
GENERAL PURPOSE SAW BLADES				DRY CUT
BN-TDX105	Concrete	Orange	102mm (4')	16mm
BN-TDX125	Concrete	Orange	127mm (5')	22mm
BN-TDX180	Concrete	Orange	178mm (7')	22mm
BN-TDX230	Concrete	Orange	229mm (9')	22mm



premium blades

DIAMOND GRINDING WHEEL



PART NO.	SIZE	FITS
VFT-GRIND100	102mm (4")	115mm (4.5") Grinder
VFT-GRIND115	115mm (4.5")	127mm (5") Grinder
VFT-GRIND125	127mm (5")	178mm (7") Grinder
VFT-GRIND178	178mm (7")	229mm (9") Grinder



BETON BUSTER

DRIED CONCRETE REMOVER

BETON BUSTER Dried Concrete Remover is formulated to re-move dried concrete, mortar and grout from tools, machinery, and vehicles. It is safe to use on paint, rubber, glass and aluminium. It works by breaking down the Portland in cement, creating a soft and easy to remove paste. Non-corrosive, non-flammable, no fumes and 100% biodegradable. Great alternative to hydrochloric acid.

Available sizes: 1 Lt, 5Lt, 20Lt, 200Lt and 1000Lt.

DIRECTIONS FOR USE

STEP 1: Spray product onto dry, set concrete. Leave to soak for 15 minutes. Do not allow product to dry. Re-spray area if drying observed, keep concrete moist.

A stiff bristle brush can be used on difficult areas after 15 minutes has lapsed.

STEP 2: Wash with high pressure cleaner. For thick build-up, re-application may be required.

STEP 3: Rinse thoroughly to remove any remaining residue.

AVAILABLE SIZES:

1Lt, 5Lt, 20Lt, 200Lt, 1000Lt



Product Catalogue

MULTI-FIT SHANK DRILLS

PART CODE	MM	'A' MM	'B' MM
S05.0 X 110	5	110	50
S05.0 X 160	5	160	100
S05.5 X 110	5.5	110	50
S05.5 X 160	5.5	160	100
S06.0 X 110	6	110	50
S06.0 X 160	6	160	100
S06.5 X 110	6.5	110	50
S06.5 X 160	6.5	160	100
S07.0 X 160	7	160	100
S08.0 X 160	8	160	100
S08.0 X 260	8	260	200
S10.0 X 160	10	160	100
S10.0 X 260	10	260	200
S10.0 X 450	10	450	400
S12.0 X 160	12	160	100
S12.0 X 260	12	260	200
S12.0 X 450	12	450	400
S13.0 X 260	13	260	200
S14.0 X 260	14	260	200
S14.0 X 450	14	450	400
S15.0 X 260	15	260	200
S16.0 X 260	16	260	200
S16.0 X 450	16	450	400
S18.0 X 250	18	250	200
S18.0 X 450	18	450	400
S19.0 X 250	19	250	200
S19.0 X 450	19	450	400
S20.0 X 250	20	250	200
S20.0 X 450	20	450	400
S22.0 X 250	22	250	200
S22.0 X 450	22	450	400
S24.0 X 250	24	250	200
S24.0 X 450	24	450	400
S25.0 X 250	25	250	200
S25.0 X 450	25	450	400
S26.0 X 250	26	250	200
S26.0 X 450	26	450	400



also available - moil points chisels and spades

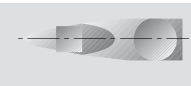


SDS MAX SHANK DRILLS

PART CODE	MM	'A' MM	'B' MM
Sm12 X 340	12	340	215
Sm12 X 540	12	540	415
Sm14 X 340	14	340	215
Sm14 X 540	14	540	415
Sm15 X 340	15	340	215
Sm15 X 540	15	540	415
Sm16 X 340	16	340	215
Sm16 X 540	16	540	415
Sm18 X 340	18	340	215
Sm18 X 540	18	540	415
Sm19 X 340	19	340	215
Sm19 X 540	19	540	415
Sm20 X 320	20	340	195
Sm20 X 520	20	540	395
Sm22 X 320	22	320	195
Sm22 X 520	22	520	395
Sm24 X 320	24	320	195
Sm24 X 520	24	520	395
Sm25 X 320	25	320	195
Sm25 X 520	25	520	395
Sm26 X 320	26	320	195
Sm26 X 570	26	520	395
Sm28 X 370	28	370	245
Sm28 X 570	28	570	445
Sm30 X 370	30	370	245
Sm30 X 570	30	570	445
Sm32 X 370	32	370	245
Sm32 X 570	32	570	445
Sm35 X 370	35	370	245
Sm35 X 570	35	570	445
Sm38 X 370	38	370	245
Sm38 X 570	38	570	445

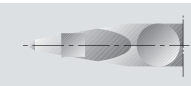
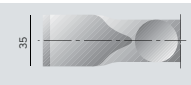


*High quality tungsten carbide drill bits, to suit most popular hammer brands.



SDS MAX SHANK

MOIL POINT		PART NUMBER: BORMPM-400-011	SIZE: 400m
FLAT CHISEL		PART NUMBER: BORFCM-400-202	SIZE: 25mm(W) x 400mm(L)
CLAY SPADE		PART NUMBER: BORCSM-400-017	SIZE: 110mm(W) x 450mm(L)

30mm HEX CONNECTIONS

MOIL POINT		PART NUMBER: BORMPH-450-961	SIZE: 450m(L)
FLAT CHISEL		PART NUMBER: BORFCH-450-962	SIZE: 35mm(W) x 450mm(L)
CLAY SPADE		PART NUMBER: BORCSH-450-967	SIZE: 110mm(W) x 450mm(L)
ASPHALT CUTTER		PART NUMBER: BORACH-400-964	SIZE: 75mm(W) x 400mm(L)

SDS PLUS SHANK

MOIL POINT		PART NUMBER: BORMPSP-250-009	SIZE: 250m(L)
FLAT CHISEL		PART NUMBER: BORFCSP-250-001	SIZE: 20mm(W) x 250mm(L)
WIDE CHISEL		PART NUMBER: BORWCSP-250-002	SIZE: 40mm(W) x 250mm(L)



Product Catalogue

DECO SLABSAVER

decoSLABSAVER

DO NOT MAKE A FLOOR WITHOUT IT



**4-IN-1
PRODUCT**



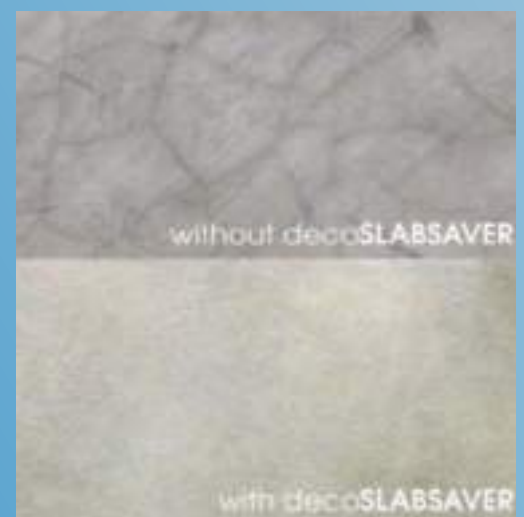
SLABSAVER REPLACES A LIQUID HARDENER, A FINISHING AID, A RETARDER AND A CURING AID.

4-IN-1 PRODUCT

- Liquid hardener: designed to be applied on fresh concrete
- Finishing aid: makes leveling and troweling much easier
- Set retarder: delays the setting time of concrete by 45 to 60 minutes
- Curing aid: obsoletes water or curing or the use of a curing compound

TIMING AND PLACE OF THE APPLICATION

- When used as finishing aid or set retarder: any place and time during the construction of the floor if due to adverse weather conditions, the concrete gets too hard to finish.
- When use a liquid hardener and curing aid:
 1. Prior to panning, at a rate of 1 liter per 10 to 15 m²
 2. After panning and prior to power troweling, at a rate of 1 liter per 15-20m²
- In normal curing condition (before 30C, under roof, no wind), no further curing is needed. In adverse condition (above 30C, windy, very low humidity), 2 to 3 days of water is recommended after the placement of the floor.



PERMANENT FLOORING SOLUTIONS

Products from DECO CRETE are the best in the market to improve the quality of concrete floors during the whole lifecycle of the floor.

- Creates rock-hard and easy to clean floors
- No peeling off, making the system easy to maintain
- Gives a beautiful natural and long lasting finish
- Shortens construction time by 2 weeks
- Stain, oil and tire mark resistant
- LEED and HACCP compliant



decoSLABSAVER
Is a finishing aid, liquid hardener and set retarder in one.

decoSIL
is a mixed-silicate liquid hardener which is very efficient due to its lithium- and nano silica content.

decoGROUT
is a cementitious two component repair material specially designed for fair-faced concrete.

decoPINFIX
is a repair material to fill pinholes in the concrete surface

decoCLEAN
is a cleaning agent which enhances the quality of the concrete due to a daily silica supplement.

decoFINISH
is a penetrating sealer to improve the hardness, stain- and oil resistance and easiness to clean.

All products contain colloidal (=nano) silica which improves the quality of the concrete surface during all phases.

Product Catalogue

CHEMICAL APPLICATOR



ULTRA-TRAK
Chemical Applicator – Concrete Edition

POLISHED CONCRETE FLOOR ULTIMATE COMBO

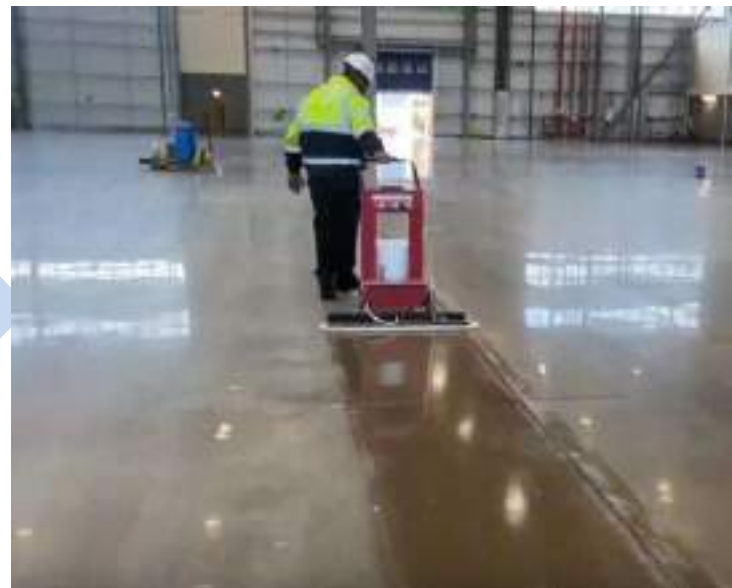


decoSIL
Concrete Hardener

decoFINISH
Concrete Sealer

**Combination of the best products
gives you the greatest result!**

ULTRA-TRAK Concrete from Fas-Trak, with pressurized chemical application system, combine with decoSil and decoFINISH from Decocrete, the top of the line hardener and sealer which gives your concrete floor a beautiful natural shine and gloss finish.



ULTRA-TRAK CONCRETE - Chemical Applicator

Tired of slow, or uneven application of densifiers, sealers and maintainers for concrete? We have the solution for every application situation. With TWO products and THREE Ultra-Trak options, we can assist you with the applying of solvent or water-based formulations. Furthermore, with the Ultra-Trak, clean-up is a breeze!

- Apply densifiers, hardeners, finish coats and sealers at 2.300 m² / hour
- Fully automatic and pressurized: Cleans in one minute
- Spray attachment feature
- Built-in charger with a battery run time of 5-7 hours
- 3 head sizes available : 28", 36" or 48"
- Portable and lightweight



decoSIL - Concrete Hardener

decoSIL contains lithium silicates and other reactive silicates. decoSIL penetrates well, is economical to use and a perfect product to harden concrete floors and to eliminate the dusting of concrete.

- Makes the surface harder, abrasion and stain resistant
- Eliminates the dusting of concrete
- Does not need scrubbing and rinsing during the application like sodium silicate hardeners.
- Water based, VOC free and Eco-friendly.



decoFINISH - Concrete Sealer

decoFINISH contains, apart from lithium silicates, other reactive components which fortify the existing concrete surface and makes the surface extremely hard wearing, stain resistant, dust free and maintenance friendly. Designed for surfaces polished up to grit 800.

- Creates long lasting gloss to the surface, making it much easier to clean. Easy to apply. Easily penetrates the concrete surface.
- decoFINISH will not peel or flake like epoxies and other coatings.
- Reapplication at high traffic areas is possible without causing ugly patches or build up.



Product Catalogue

BONDS

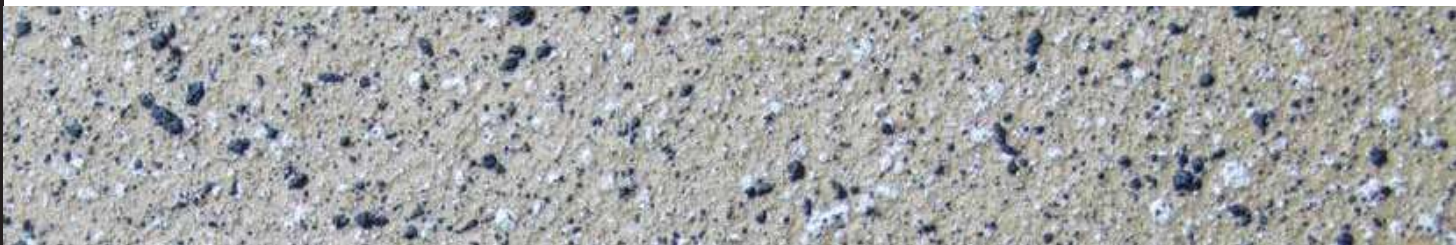


SLATE IMPRESSION MATS PATTERNED MATS

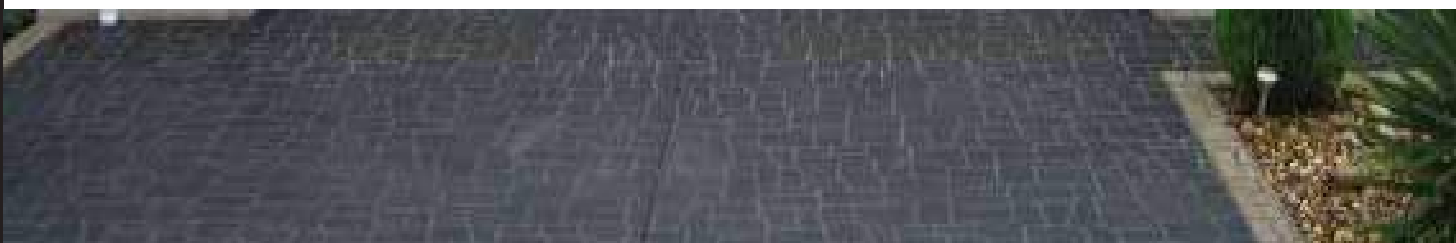


All States

COLOUR TOPPING/HARDENER



STENCILS



CREATE YOUR OWN STATEMENT

SLATE IMPRESSION MATS

Choose from a variety of slate mats to reproduce the natural beauty of slate, stone, tile or bluestone.



Ashler Black
L550 X W600



Ashler Green
L550 X W600



Ashler Stone
Black
L590 X W590



Ashler Stone
Green
L590 X W590



Ashler Stone
Red
L590 X W590



Ashler Yellow
L550 X W600



Random
Stone Green
L740XW740



Slate Tile Black
L630XW740



Bluestone
Black
L750 x W435



Bluestone
Green
L460XW740



Caesar Black
L1200xW600



Caesar
Stone Red
L1200xW1200



Colonial Black
L265XW240



Colonial Green
L800xW740



Soft Mat Green
L500XW500



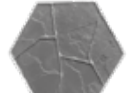
Soft Mat Red
L430XW430



Colonial Red
L490XW325



Colonial Yellow
L1070XW740



Crazy
Slate Black
L90XW690



Crazy Slate
Green
L690XW690



Flagstone
Green
L495XW740



Hexagon Red
L495XW740



Walkway Black
L875XW440



Walkway Green
L875XW440



Lge Ashler
Black
L610XW610



Lge Ashler
Green
L610XW610



Lge Ashler
Yellow
L610XW610



London
Cobble Black
L750XW435



Octagon
Yellow
L595XW595



Random
Stone Black
L740XW740



Walkway Red
L875XW440



Walkway
Yellow
L875XW440

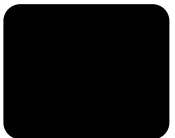
All States - colour range



Battleship



Beige



Black



Blue



Bluestone



Brick Red



Tan



Charcoal



Dark Brown



Grey



Heritage Green



Limestone



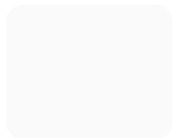
Marigold



Terracotta



Nutmeg



Off White



Olive



Rust



Sandstone



Smooth Cream



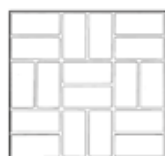
Vintage Red

Product Catalogue

STENCILS



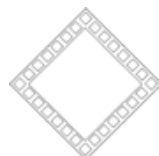
Antique Tile



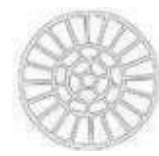
Basket Weave



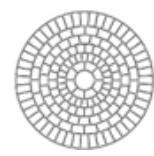
Bushrock



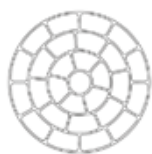
Centre
Diamond Tile



Circle Brick 900



Circle Brick
1800



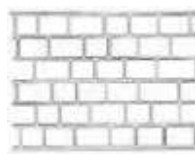
Circle
Cobblestone



Circle Star
900



Circle Star
1800



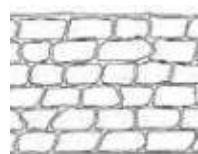
Cobble Paver



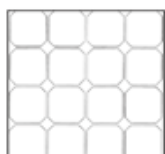
Cobble Brick



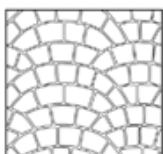
Cobblestone



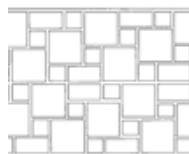
English Cobble



Federation



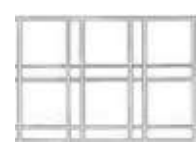
Fishscale



Flagstone



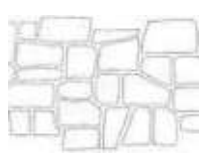
Garden Walk



Heritage Tile



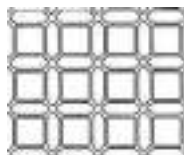
Herringbone



Keystone



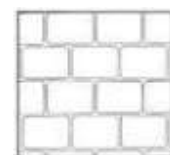
Mexican Paver



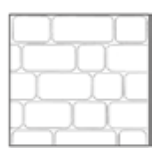
Mexican Tile



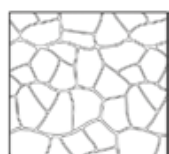
Outback Stone



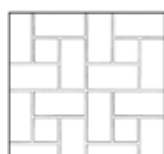
Paver Brick



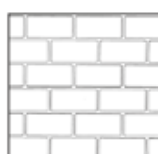
Random Paver



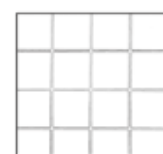
Random Stone



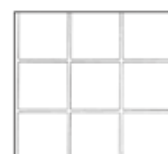
Riverstone



Running Bond



Spanish Tile



Tile 300



Header Course
Bushrock



Header Course
Cobblestone



Header Course
Diamond



Header Course
Brick



Header Course
Cobble Paver



Header Course
Paver Brick



Header Course
Tile

Proudly Distributed By:

Allbond®

Acrylic bonding agent

Product Allbond® is a multi-purpose high strength acrylic bonding agent. Can be used with any premixed sand cement mixes or cement mortar.

Uses Used in the application and as a primer for Spraytex™ concrete resurfacing. Repairs to any masonry surfaces, equally as good for Safety Line marking, Blue Boards, Cement Sheets and as a Render. Can be used as a primer only for Self leveling and Non shrink grout. Suitable for Industrial and Domestic applications.

Package 20 lt, 5 lt, 1 lt pail



Release Agent Liquid

Slate mat releaser

Product Release Agent Liquid is a blend of clear liquid, designed besprayed over the surface of the concrete prior to placing the Slate Mats. This will enable the imprint of the mats and eliminate the possibility of the concrete adhering to the mats.

Uses For the application of Slate Impression paving.

Package 10 litre container, available in clear.



Release Agent Powder

Slate mat releaser

Product Release Agent is a coloured powder, provides a two tone effect. Designed to be broadcasted over the surface of the concrete prior to placing the Slate Impression Mats. This will enable the imprint of the mats and eliminate the possibility of the concrete adhering to the mats.

Package 8 kg pail, available in neutral and a variety of colours.



Statop™

Coloured surface hardener topping

Product Statop® Coloured surface hardener topping is ready to Multipurpose pre-mixed. This product is a complete blend of highest quality pigments and formulated powders that when blended gives a superior result than integral colouring.

Used to colour and harden the surface of the concrete. Has a variety of uses, such as **Slatetex™ Slate Paving**, **Stentex™ Stencil Paving** and **Spraytex™ Concrete resurfacing** applications. Ideal for heavy traffic areas, colouring plain concrete surfaces, resurfacing existing concrete and masonry surfaces. Anti slip finishes, Kerbs, Garden Strips, artificial rocks, rendering and patch ups.

Package 20kg bag pre-mixed, ready to use, available in an extensive range of colours



StaSeal® Premium

Concrete sealer

Product **Sealing steep and sloping surfaces:** is not recommended, as it reduces pedestrian and vehicle safety and can be very slippery in wet or dry conditions. **Sealing in summer:** the addition of 2 litres Bescon Solulene® in the final coat will help reduce blistering. Sealing early in the morning or late in the day is not recommended, due to early morning dew and night condensation. Sealer affected by moisture will lose gloss, adhesion properties and could have a white blooming appearance.

Package 10 lt, 20 lt, Pail, available in clear and extensive colour range



Product Catalogue

SCREEDMASTER

The Screedmaster is a fully adjustable multipurpose chair manufactured in Australia using 100% recycled plastic.

- ° Screedmaster is designed to help control concrete finished levels as well as hold suspended formwork for setdowns, rebates and steps in slabs.
- ° The Screedmaster comes with the base, threaded height adjuster and saddle. It has an adjustable height range of 125mm - 245mm
- ° The screedmaster can be fastened to conventional formwork or metal formwork decks using screws. It is light duty yet sturdy and can be left in the concrete.



AUSTRALIAN MADE®

SCREEDMASTER

screedmaster



“We Service What We Sell”



CATALOGUE



everything you need to get the job done

CONTACT US:
sales@flextoolfloors.com

Address:
Mitramas Building 7th Floor
Jl. Sunter Permai Raya Block A1 No. 1-4
Jakarta Utara 14350, Indonesia
Phone : +62-21 640 8771